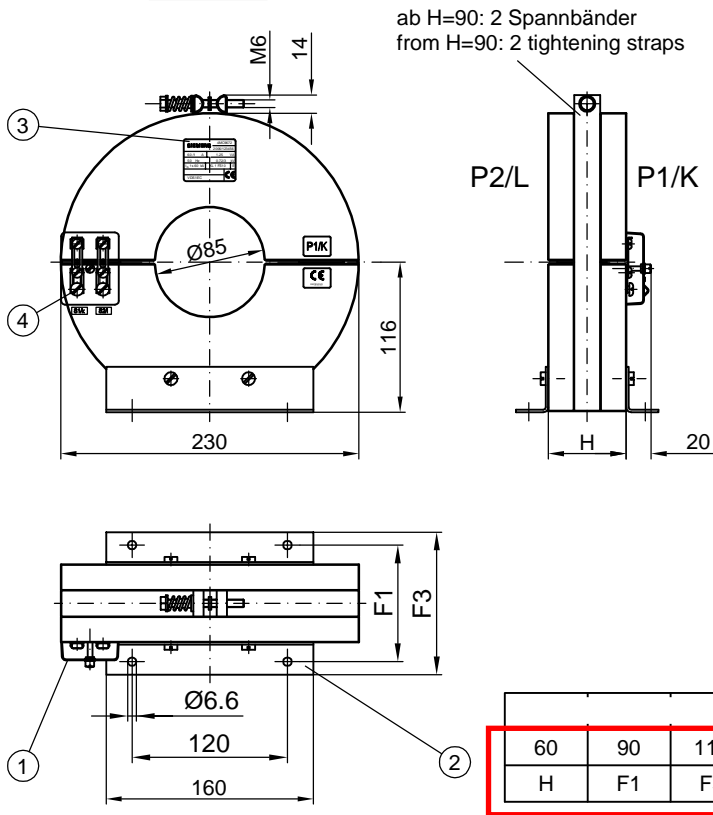
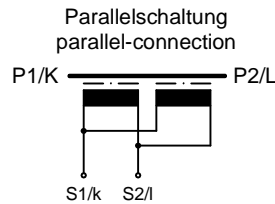


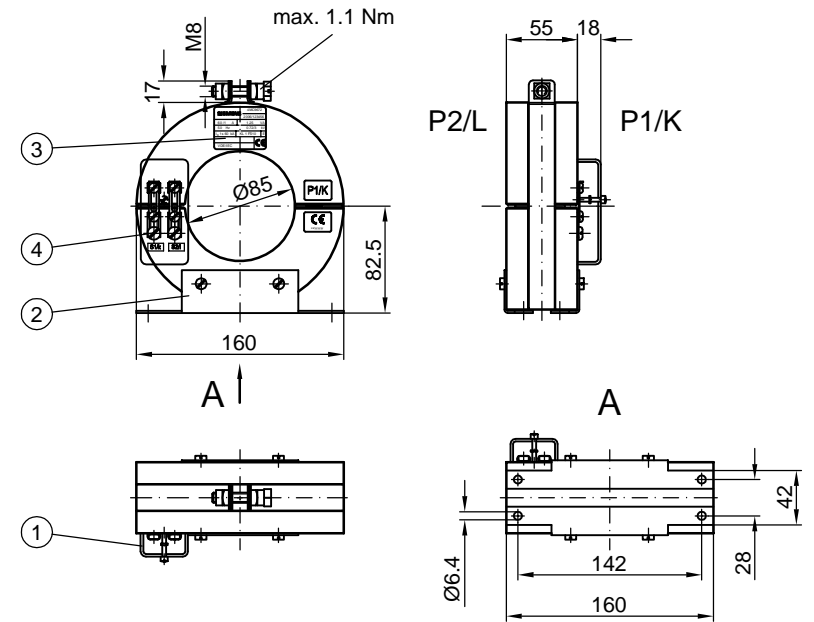
Form A



Schaltbild Connection diagram

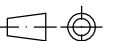


Form B



1. Sekundärabdeckung, durchsichtig und plombierbar auf Wunsch
Secondary terminal cover, transparent and sealable on request
2. Fußbefestigung
Mounting feet
3. Leistungsschild
Rating plate
4. Sekundäranschluß M5
max. 4 mm² (flexibel), 6 mm² (massiv)
Anziehdrehmoment 3.5 Nm
secondary terminals M5
max. 4 mm² (flexible), 6 mm² (solid)
tightening torque 3.5 Nm

Maße in mm
Dimensions in mm



Geringe Maßabweichungen vorbehalten.
Small deviations in dimensions are possible.

| | | | | | | | | | | | | | | | | | | | | | |
|---|----------------------|---------------|-----------------------------|---------------------------------|------------------|------------|-----------------------|--|--------------------|--|--|--|--|--|--|--|--|--|--|--|--|
| EKN | VNT | VNO | RM | RKN | | | | | | | | | | | | | | | | | |
| | | | | | Datum/date | Name/name | Benennung/designation | | | | | | | | | | | | | | |
| | | | | | Bear. drawn | 23.01.2009 | Hu | 4 MC 9602 Kabel-Umbau-Stromwandler Split Core C.T. Maßbild / Outline Drawing | | | | | | | | | | | | | |
| | | | | | Gepr. checked | | | | | | | | | | | | | | | | |
| | | | | | Gepr. checked | | | | | | | | | | | | | | | | |
| Index | Anderung revision | Datum date | Name/name | Zeichnungsnummer/drawing number | | | | Index | | | | | | | | | | | | | |
| Urheberschutz n. DIN 34 copyright acc. to DIN 34 | | | | SIEMENS | | | | MBS3.4818 | 0 | | | | | | | | | | | | |
| Maßstab/scale bei/ref. to DIN | 1:4 A3 | 090043 | Dateiname data file name | MS0481810.dwg | | | | (Ers.f.)/(sub.for) | (Ers.f.)/(sub.for) | | | | | | | | | | | | |