

7XV75 Test Switch

Application

The test switch serves in the testing of protection devices using secondary injection test sets, for example 7VP15 (Omicron CMC 56).

The following versions are in a flush mounting case available:

- For feeder protection without an open starpoint.
- For feeder protection without an open starpoint and with additional contacts.
- For feeder protection without an open starpoint for two CT cores or separate earth fault CT.
- For feeder protection with an open starpoint.
- For feeder protection with an open starpoint and independent switchable trip and c.t. circuits.
- For a 3-winding transformer differential protection.
- For feeder protection without an open starpoint, with 4th CT and 4th VT input (three-stage test switch)

The test device can be used with auxiliary supplies ranging from 24 V to 250 V DC. This makes selection between varying power supply models unnecessary.

Mode of operation

The 7XV75 test switch serves for testing protection devices including C.T. circuits and command contacts. With the help of the switches located on the front side, the current and voltage inputs as well as the circuits of the protection device to be tested are interrupted and applied to the plug-in connector located on the front side. Via this plug-in connector currents and voltages can be fed by an injection test set and the different commands and indications can be tested.

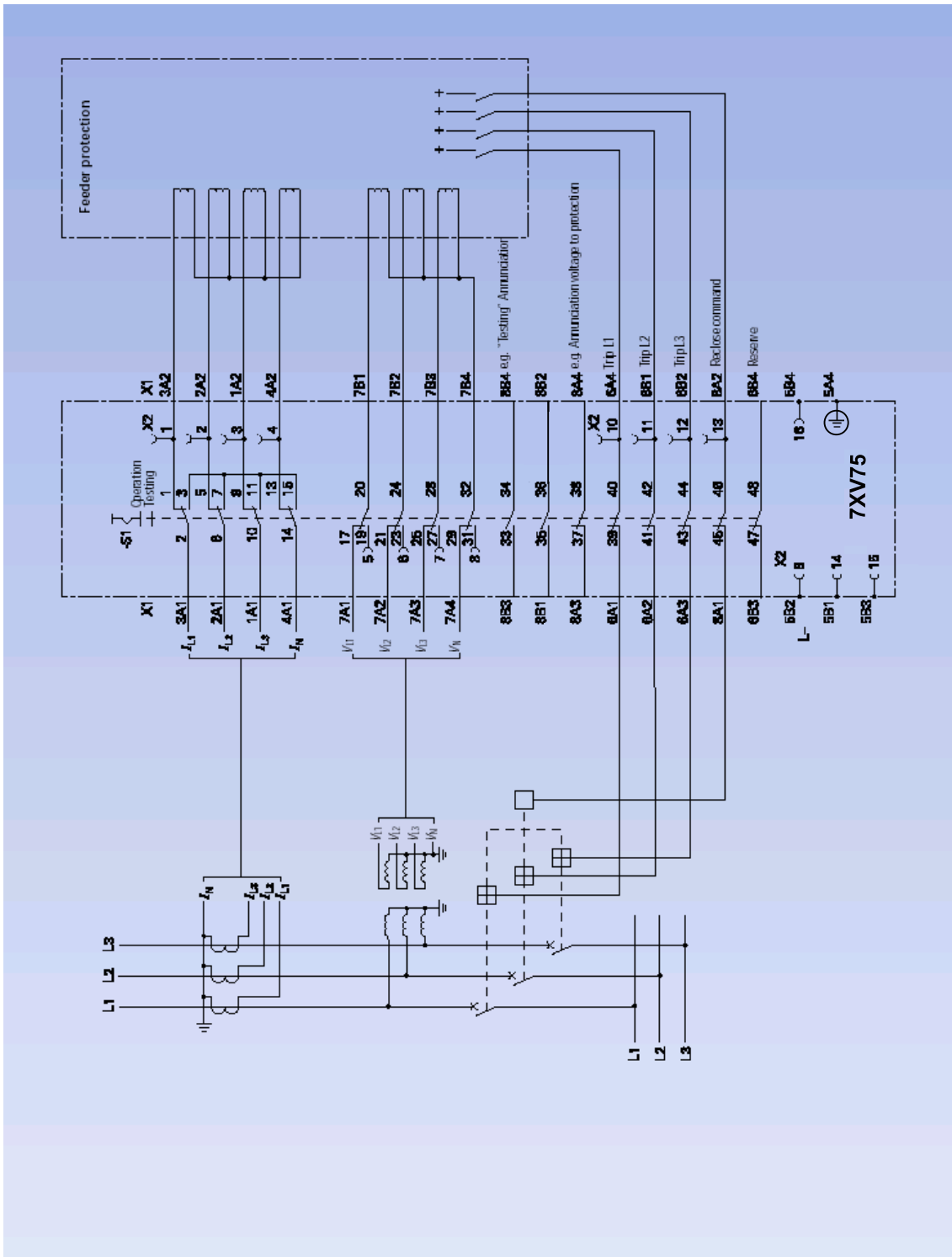


7XV75 test switch

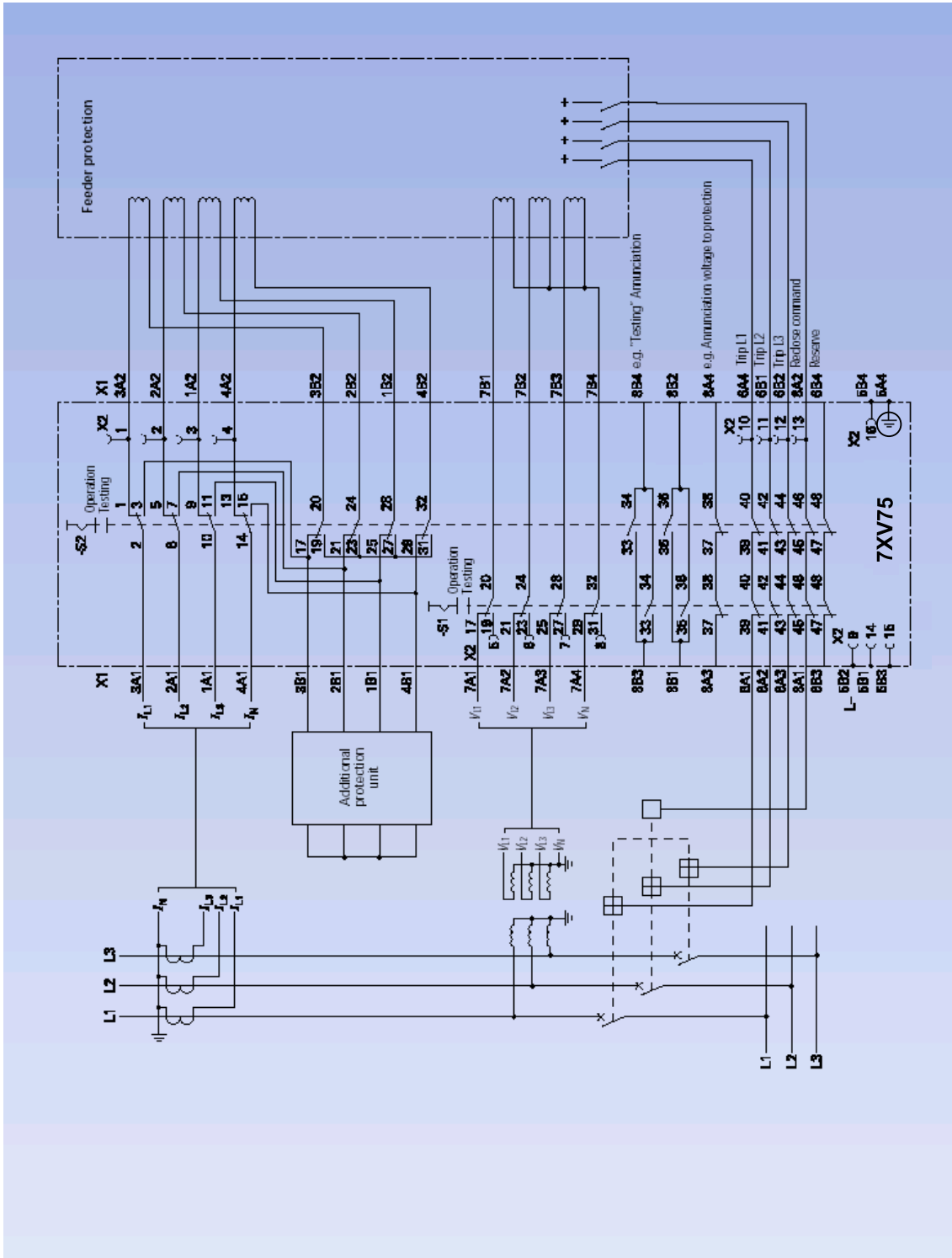
Selection and ordering data

Test switch	Rated operating voltage V_n Rated operating current I_n Test current capacity for 1 s for 10 s	400 V AC 6 A 150 A 60 A
Construction	Metal case Dimension Weight	7XP20 1/6 of 19" wide approx. 3,4 kg

7XV75 Test Switch



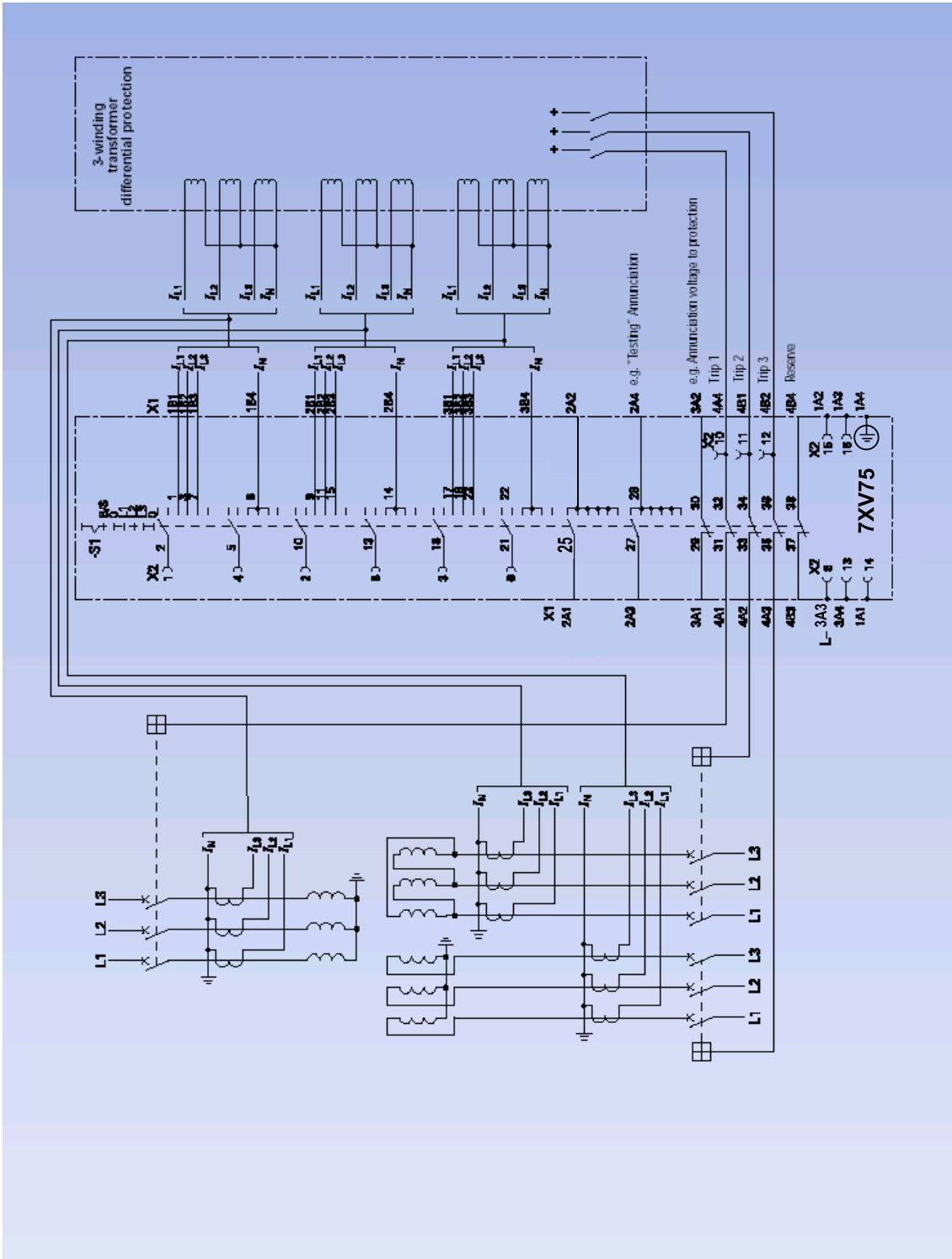
Connection diagram for 7XV7500-0CA00 test switch



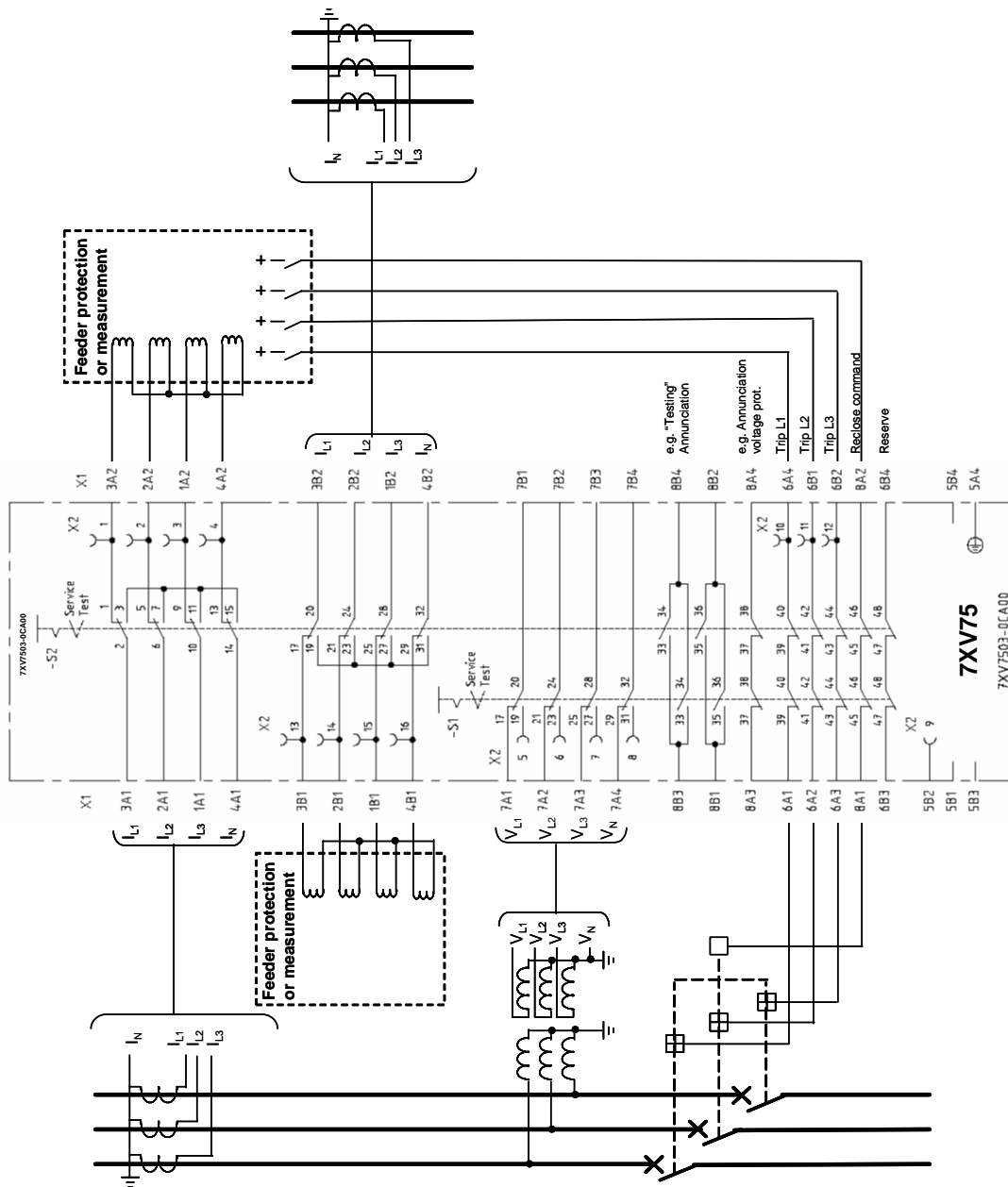
Connection diagram for 7XV7501-0CA00 test switch

Typically not for distance protection or if used please consider the switch order of S1 and S2 (Operation->Test: S2 (I) – S1 (V); Test->Operation: S1 (V) – S2 (I)).

7XV75 Test Switch



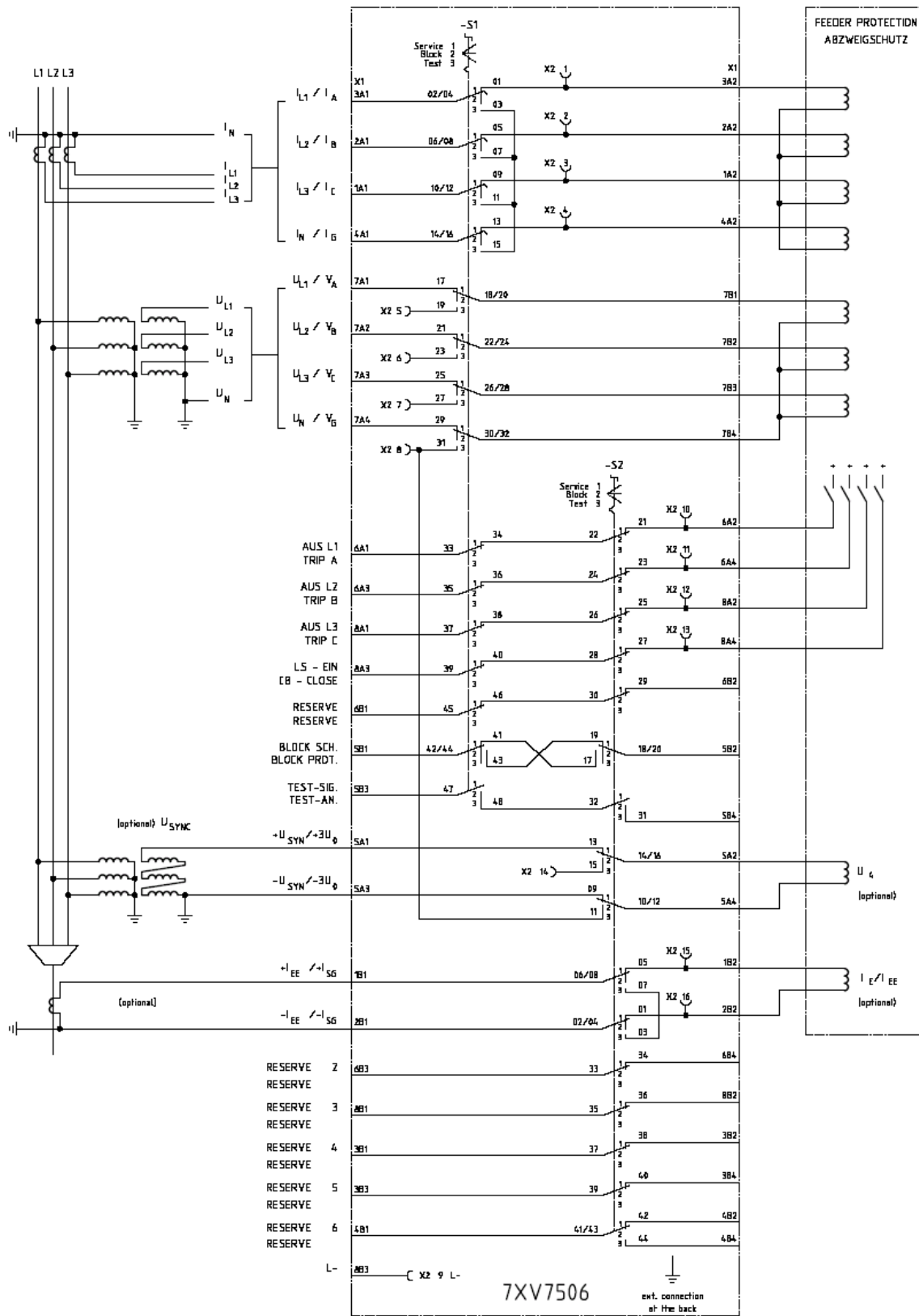
Connection diagram for 7XV7502-0CA00 test switch



Connection diagram for 7XV7503-0CA00 test switch

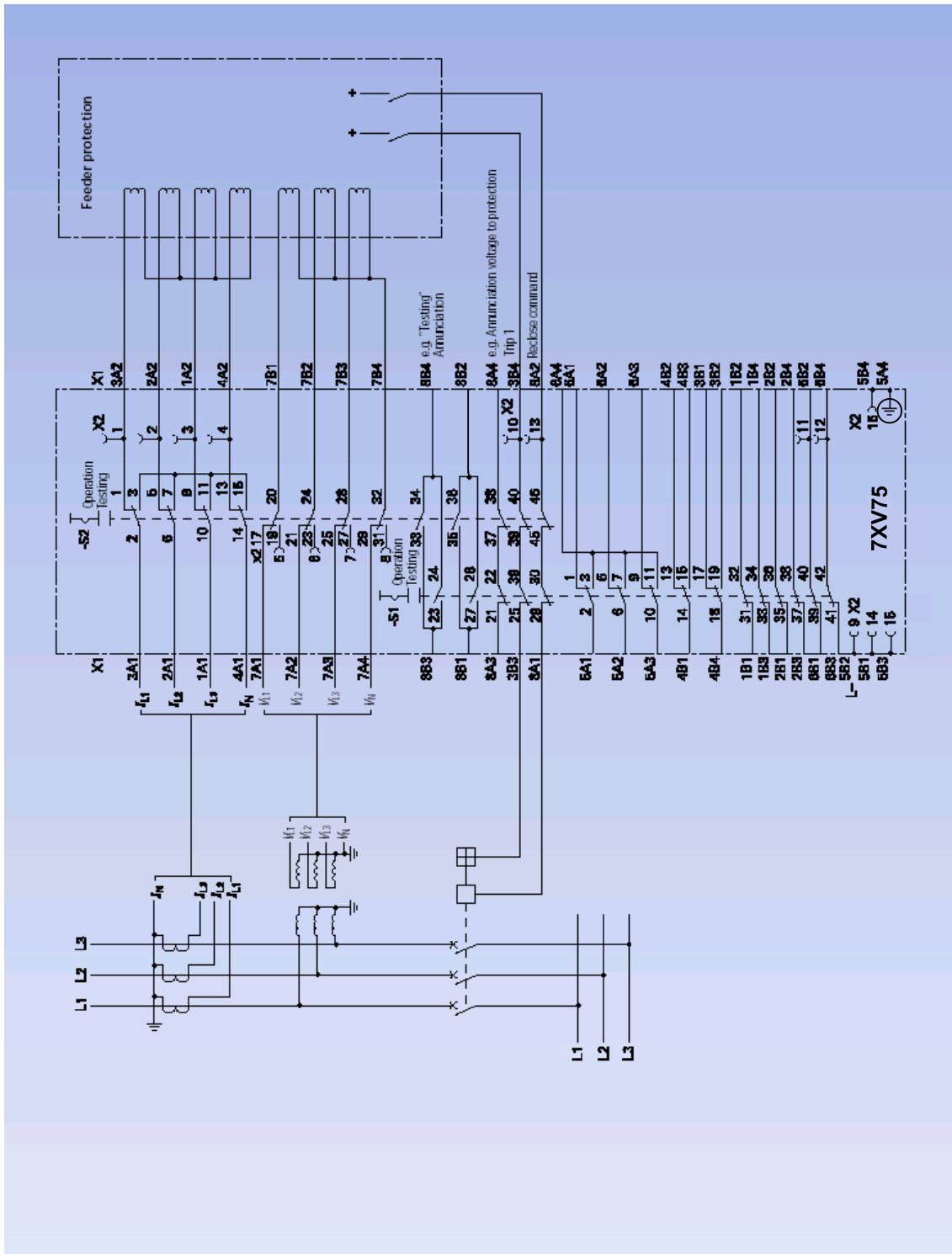
Typically not for distance protection or if used please consider the switch order of S1 and S2 (Operation->Test: S2 (I) – S1 (V); Test->Operation: S1 (V) – S2 (I)).

7XV75 Test Switch



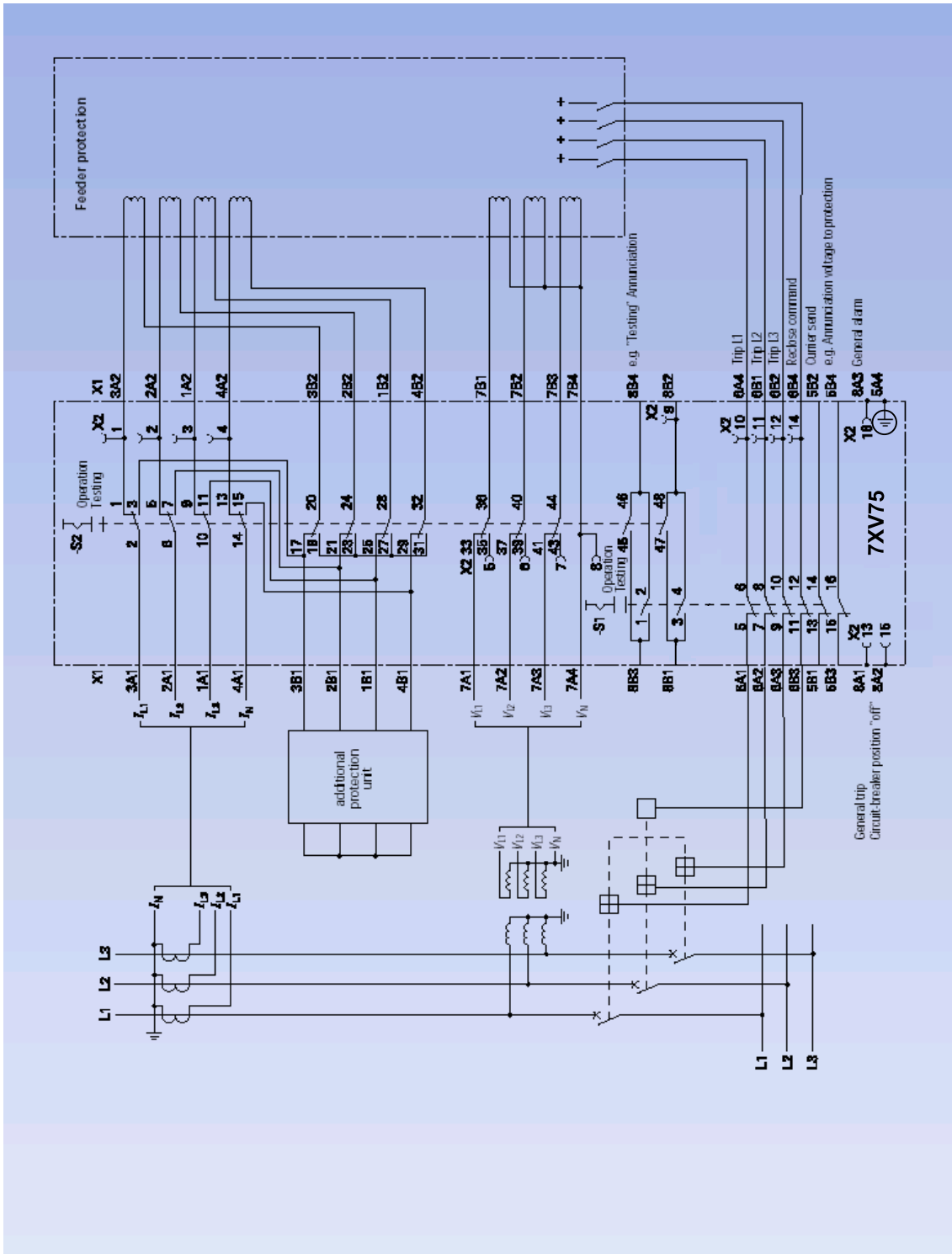
Connection diagram for 7XV7506-0CA00 three-stage test switch

7XV75 Test Switch



Connection diagram for 7XV7507-0CA00 test switch

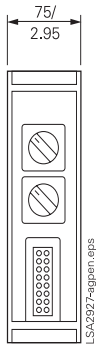
7XV75 Test Switch



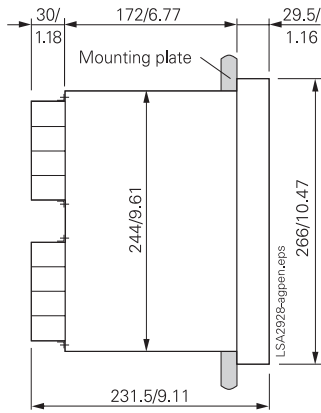
Connection diagram for 7XV7508-0CA00 test switch

7XV75 Test Switch

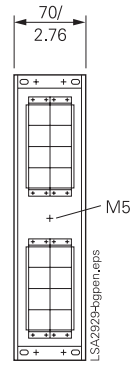
Dimension drawings in mm / inch



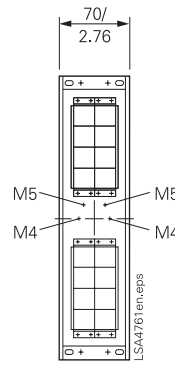
Front view



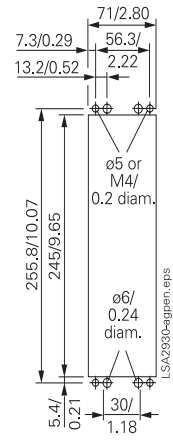
Side view



Rear view
(except 7XV7506)



Rear view
of 7XV7506



Panel cutout

Selection and ordering data

Item	Order No.:
Test switch	7 X V 7 5 0 <input type="checkbox"/> - <input type="checkbox"/> C A 0 0
Application	
Without open starpoint for feeder protection	0
With open starpoint for feeder protection	1
For 3-winding transformer differential protection	2
Without open starpoint for two CT cores or separate earth fault CT	3
Without open starpoint for feeder protection, with 4 th CT and 4 th VT input (three-stage test switch)	6
Without open starpoint for feeder protection and with additional contacts	7
With open starpoint and independent switchable trip and C.T. circuits for feeder protection	8
Front Test Plug connection	
With 16 pole Harting socket	0
With 16 banana plugs (not available for 7XV7506)	1

Accessories:

7XV6201-5 Connecting cable with 16 pole Harting plug and 17 isolated banana connectors 4mm with cable marks
 7XV6201-6 Connecting cable with 16 pole Harting plug and 17 cable end sleeves with cable marks
 Cable length: 2m

Conditions of Sale and Delivery

Subject to the General Conditions of Supply and Delivery for Products and Services of the Electrical and

Electronic Industry and to any other conditions agreed upon with the recipients of catalogs.

The technical data, dimensions and weights are subject to change unless otherwise stated on the individual pages of this catalog.

The illustrations are for reference only. We reserve the right to adjust the prices and shall charge the price applying on the date of delivery.

Export Regulations

In accordance with present German and US export regulations, export licences not required for the products listed in this catalog.

Embargo data
 AL: N, ECCN: N

Responsible for Technical contents:
 Dipl.-Ing. Thomas Klotz,
 Siemens AG
 PTD EA 13, Nuremberg

Export and re-export are therefore permissible without the approval of the relevant authorities except where current German export regulations contain country-specific restrictions. Relevant are the criteria stated in the delivery note and in the invoice. An export licence may be required due to country-specific application of the product.
 Subject to change without notice.

Postal Address:
 Siemens AG
 Power Transmission and Distribution
 Energy Automation Division
 Humboldtstr. 59
 D-90459 Nuremberg

Trademarks

All product designations used are trademarks or product names of Siemens AG or of other suppliers.

Siemens online

The section **Power Transmission and Distribution Energy Automation** can be found under the following link:

<http://www.siprotec.com>