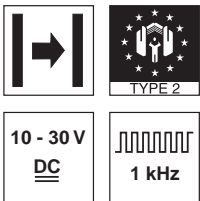


SLS 318

Protective throughbeam photoelectric sensors

Dimensioned drawing

en 06-2013/02 50108664-01



0 ... 12m

- Protective throughbeam photoelectric sensors with high performance reserve in visible red light and straight optics, up to category 2 in accordance with ISO 13849-1
- Robust cylindrical stainless steel or plastic housing M18x1, protection class IP 67 for industrial application
- Activation input for testing and interlinking of the sensor
- Complementary switching outputs for light/dark switching or as a control function
- Very short construction for application in limited spaces
- LED indicator in transmitter and receiver

We reserve the right to make changes • DS_SLS_318_en_50108664-01.fm

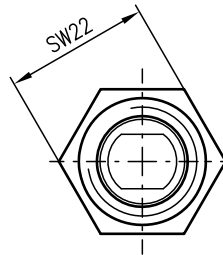
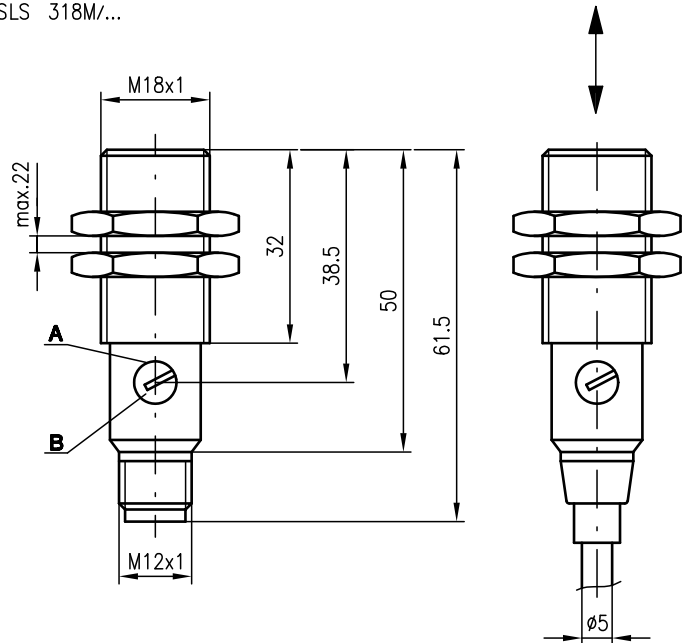


Accessories:

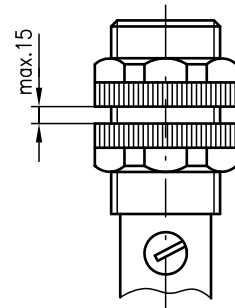
(available separately)

- Mounting systems (BT 318, BT 318-ARH)
- M12 connectors (KD ...)
- Ready-made cables (K-D ...)
- Test monitoring units MSI-TR1 (Part No. 549988)
- Sensorscope SAT 5 (alignment control, Part No. 50109545)

SLS 318M/...

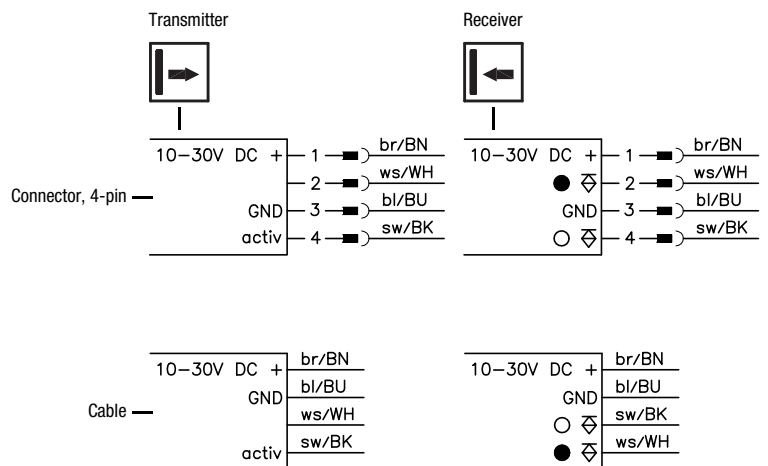


SLS 318K/...



- A Indicator diode
- B Sensitivity adjustment

Electrical connection



Specifications

Safety-relevant data

Type in accordance with IEC/EN 61496	type 2
Performance Level (PL) in accordance with ISO 13849-1 ¹⁾	PL d
Category in accordance with ISO 13849 ¹⁾	cat. 2
Mean time to dangerous failure (MTTFd)	414 years
Service life (TM)	20 years

Optical data

Typ. operating range limit ²⁾	0 ... 12m
Operating range ³⁾	0 ... 10m
Light source	LED (modulated light)
Wavelength	660nm

Timing

Switching frequency (sensor)	1000Hz
Response time (sensor)	0.5ms
Delay before start-up	≤ 30ms

Electrical data

Operating voltage U_B ⁴⁾	10 ... 30VDC
Residual ripple	≤ 10% of U_B
Open-circuit current	≤ 25mA
Switching output	2 transistor outputs, complementary
Function	light/dark switching
Signal voltage high/low	≥ ($U_B - 1.6V$) / ≤ 1.6V
Output current	max. 100mA
Sensitivity	adjustable

Indicators

Transmitter	
Red LED	transmitter active
Receiver	
Red LED	light path free
Red LED, flashing	light path free, no performance reserve

Mechanical data

Housing	polyamide 12 or stainless steel
Optics cover	polyamide 12
Weight	90g (cable), 20g (M12)
Connection type	M12 connector, 4-pin cable 2m, 4x0.25mm ²

Environmental data

Ambient temp. (operation/storage)	-25°C ... +65°C / -40°C ... +70°C
Protective circuit ⁵⁾	1, 2, 3, 4
VDE safety class ⁶⁾	II, all-insulated
Protection class	IP 67
LED class	1 (acc. to EN 60825-1)
Standards applied	IEC 60947-5-2

Options

Activation input active	
Transmitter active/not active	≥ 8V / ≤ 1.5V or not connected
Activation/disable delay	≤ 1ms / ≤ 2ms
Input resistance	10KΩ ± 10%

- 1) In combination with a suitable test monitoring unit, e.g. MSI-TR1
 2) Typ. operating range limit: max. range without performance reserve
 3) Operating range: recommended range with performance reserve
 4) For UL applications: for use in class 2 circuits only
 5) 1=transient protection, 2=polarity reversal protection, 3=short circuit protection for all outputs, 4=interference blanking
 6) Rating voltage 250VAC

Order guide ¹⁾

Selection table		SLS 318K/P-S12 Part No. 50083116 (Tr) Part No. 50083117 (Re)	SLS 318M/P-S12 Part No. 50082199 (Tr) Part No. 50082200 (Re)	SLS 318K/P Part No. 50083132 (Tr) Part No. 50083133 (Re)	SLS 318 M/P Part No. 50083135 (Tr) Part No. 50083136 (Re)
Order code →					
Equipment ↓					
Housing	Plastic	●		●	
	Stainless steel		●		●
Connection	M12 connector	●	●		
	Cable			●	●
Switching output	PNP	●	●	●	●
	NPN				

1) Version 2010 A-Z

Tables

SLS 318...

0	10	12
---	----	----

<input type="checkbox"/>	Operating range [m]
<input type="checkbox"/>	Typ. operating range limit [m]

Safety notices

Before using the safety sensor, a risk evaluation must be performed according to valid standards. For mounting, operation and tests, this document as well as all applicable national and international standards and regulations must be observed, printed out and handed to the affected personnel.

Before working with the safety sensor, completely read and observe the documents applicable to your task.

In particular, the following national and international legal regulations apply for the commissioning, technical inspections and work with safety sensors:

- Machinery directive 2006/42/EC
- Use of Work Equipment Directive 89/655/EEC supplemented by Directive 95/63 EC
- Accident-prevention regulations and safety rules
- Other relevant standards
- Standards, e.g. ISO 13855

Symbols



Attention!

Warning sign – This symbol indicates possible dangers. Please pay especially close attention to these instructions!



This symbol identifies the transmitter.



This symbol identifies the receiver.

Safety sensor area of application

The protective throughbeam photoelectric sensor is an active optoelectronic protective device only in connection with a safety-relevant control system, in which the cyclical testing of transmitter and receiver is carried out in accordance with EN 61496-1, up to category 2 and PL d in accordance with EN ISO 13849-1.



Attention!

- The safety sensor protects persons at access points or at points of operation of machines and plants.
- The safety sensor only detects persons upon entry to the danger area; it does not detect persons who are located within the danger area. For this reason, a start-up/restart interlock is mandatory.
- No protective function without adequate safety distance.
- The power supply unit used to operate the photoelectric sensor has to be able to compensate for changes and interruptions of the supply voltage acc. to EN 61496-1.
- Also observe the safety notices in the documentation of the connected test device!
- Additional measures must be taken to ensure that the AOPD does not experience a dangerous failure due to glare from other light sources.

Proper use

The safety sensor must only be used after it has been selected in accordance with the respectively valid instructions and relevant standards, rules and regulations regarding occupational safety and safety at work, and after it has been installed on the machine, connected, commissioned, and checked by a competent person.

Foreseeable misuse

Any use other than that defined under the "Proper use" or which goes beyond that use is considered improper use. The user must ensure that no optical influence on the AOPD occurs through other forms of light beams, e.g. through

- wireless control devices on cranes,
- radiation from welding sparks,
- stroboscopic lights.

Competent personnel

Prerequisites for competent personnel:

- He has a suitable technical education.
- He knows the instructions for the safety sensor and the machine.
- He has been instructed by the responsible person on the mounting and operation of the machine and of the safety sensor.

Responsibility for safety

Manufacturer and operator must ensure that the machine and implemented safety sensor function properly and that all affected persons are adequately informed and trained.

The **manufacturer** of the machine is responsible for:

- Safe implementation of the safety sensor.
- Imparting all relevant information to the operator.
- Adhering to all regulations and directives for the safe commissioning of the machine.

The **operator** of the machine is responsible for:

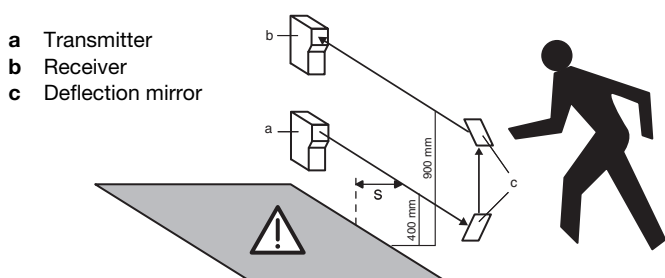
- Instructing the operating personnel.
- Maintaining the safe operation of the machine.
- Adhering to all regulations and directives for occupational safety and safety at work.
- Regular testing by competent personnel.

Safety distances



Attention!

The protective throughbeam photoelectric sensor must be installed with the correctly calculated safety distance as well as suitable beam distances from a potentially dangerous motion: if an interruption of the light beam occurs, the danger area may only be reached once the machine has already come to a dead stop.



Number of beams	Heights above reference plane, e.g. floor [mm]	Additional distance C [mm]
1	750	1200
2	400, 900	850
3	300, 700, 1100	850
4	300, 600, 900, 1200	850

The safety distance **S** between photoelectric sensor and danger area is calculated using the following formula (ISO 13855):

$$S = (K \cdot T) + C$$

S: Safety distance [mm] between photoelectric sensor and danger area.

K: Approach speed (constant = 1600 mm/s).

T: Time delay [s] between interruption of the light beam and stand-still of the machine.

C: Safety constant (additional distance) = 850mm or 1200mm, see table above.

Multi-axle installation

With multi-axle installation the light beams have to run parallel to the reference plane (e.g. floor) and must be aligned mutually parallel.

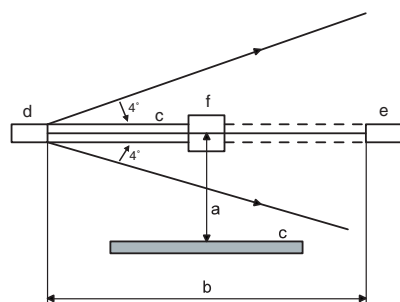
For this the beam direction must be set oppositely in each case. Otherwise the light beams could cause mutual interference and disturb proper functioning.



- a** Transmitter
- b** Receiver

Distance to reflecting surfaces

When mounting, a sufficiently large distance from the optical axis to reflecting surfaces must be selected.



- a** Distance to the reflecting surface
- b** Protected field width
- c** Reflecting surface
- d** Transmitter
- e** Receiver
- f** Object

Commissioning

Alignment of the sensors

- Mount photoelectric sensors with corresponding fixing brackets from Leuze electronic.
- Apply operating voltage to transmitter and receiver and activate transmitter via activation input (see "Electrical connection").
- Red LED on transmitter illuminates.
- Align light spot on receiver.
- Set range: Turn potentiometer to the right until the red LED illuminates.

Receiver LED blinks red: Light path free, but no performance reserve; clean and readjust photoelectric sensor, or check operating conditions.

Safety notices for test function

1. To perform testing correctly the activation input of the SLS 318 transmitter must be connected to a test monitoring unit.
2. The test duration during access protection must not exceed 150ms.
3. Subsequent to sensor activation the output switching elements of the test monitoring unit must remain in the 'off' state for at least 80ms so that the downstream equipment can be switched off safely when the photoelectric sensor is used for access protection.
4. In order to comply with points 2 and 3, the use of Leuze electronic test monitoring units (MSI-TR1) is recommended.

Check

The checks should ensure that the Optoelectronic Protective Devices have been used acc. to the national/international regulations, in particular in accordance with the machine and work-equipment directive.

Check before initial commissioning

- Observe the nationally and internationally valid regulations.
- Is the required safety distance (protective field of the safety sensor to the next point of operation) maintained?
- Is the safety sensor effective during the entire dangerous movement and in all adjustable operating modes of the machine?
- It must not be possible to climb over, climb under or circumvent the light path.
- Ensure that the sensor only detects persons upon entry to the danger area and does not detect whether persons are located within the danger area.
- Is a start-up/restart interlock present?
- Before they begin work, have a competent person train the operating personnel in their respective tasks.

Regular testing by competent personnel

The reliable interaction of safety sensor and machine must be periodically tested in order to detect changes to the machine or impermissible tampering with the safety sensor.

- Have all tests performed by competent personnel.
- Observe the nationally and internationally applicable regulations and the time periods specified therein.

Daily check of the effectiveness of the safety sensor

It is extremely important to examine the effectiveness of the protective field daily so that it is ensured that e.g. even with adjustments to e.g. parameters, the protective function is active at all points.

Interrupt the light beam between the transmitter and receiver (test rod Ø 14 mm)

- in front of the transmitter.
- in the middle between the transmitter and receiver.
- in front of and behind the deflection mirror.

It must not be possible to initiate the dangerous state during beam interruption.

Disposal

For disposal observe the applicable national regulations regarding electronic components.



the **sensor** people

**EG-KONFORMITÄTS-
ERKLÄRUNG
(ORIGINAL)**

**EC DECLARATION OF
CONFORMITY
(ORIGINAL)**

**DECLARATION CE DE
CONFORMITE
(ORIGINAL)**

Der Hersteller	The Manufacturer	Le constructeur
	Leuze electronic GmbH + Co. KG In der Braike 1, PO Box 1111 73277 Owen, Germany	
erklärt, dass die nachfolgend aufgeführten Produkte den einschlägigen Anforderungen der genannten EG-Richtlinien und Normen entsprechen.	declares that the following listed products fulfil the relevant provisions of the mentioned EC Directives and standards.	déclare que les produits identifiés suivants sont conformes aux directives CE et normes mentionnées.
Produktbeschreibung:	Description of product:	Description de produit:
Einweg-Sicherheits-Lichtschranke, Berührungslos wirkende Schutzeinrichtung, Sicherheitsbauteil nach 2006/42/EG Anhang IV	Protective throughbeam photoelectric sensor, Active opto-electronic protective device, safety component in acc. with 2006/42/EC annex IV	Barrière unidirectionnelle, Équipement de protection électrosensible, Élément de sécurité selon 2006/42/CE annexe IV
SLS 318 Seriennummer 2010 01 A-Z 000001 – 999999	SLS 318 Serial no. 2010 01 A-Z 000001 – 999999	SLS 318 N° série 2010 01 A-Z 000001 – 999999
Angewandte EG-Richtlinie(n):	Applied EC Directive(s):	Directive(s) CE appliquées:
2006/42/EG 2004/108/EG	2006/42/EC 2004/108/EC	2006/42/CE 2004/108/CE
Angewandte Normen:	Applied standards:	Normes appliquées:
EN 61496-1:2004; IEC 61496-2:2006; EN ISO 13849-1:2009; EN 60947-5-2:2007		
Benannte Stelle / Baumusterprüfbescheinigung:	Notified Body / Certificate of Type Examination:	Organisme notifié / Attestation d'examen CE de type:
TÜV NORD CERT GmbH Benannte Stelle: 0044 Langemarckstr. 20 45141 Essen	/	44 205 10 377326 002
Bevollmächtigter für die Zusammenstellung der technischen Unterlagen:	Authorized person to compile the technical file:	Personne autorisée à constituer le dossier technique:
Robert Sammer; Leuze electronic GmbH + Co. KG, business unit safety systems Liebigstr. 4; 82256 Fuerstenfeldbruck; Germany		

Owen, *16.11.10*
Datum / Date / Date

[Signature]
Dr. Harald Grübel, Geschäftsführer / Director / Directeur

Leuze electronic GmbH + Co. KG
In der Braike 1
D-73277 Owen
Telefon +49 (0) 7021 573-0
Telefax +49 (0) 7021 573-199
info@leuze.de
www.leuze.com

Leuze electronic GmbH + Co. KG, Sitz Owen, Registergericht Stuttgart, HRA 250713
Persönlich haftende Gesellschafterin Leuze electronic Geschäftsführungs GmbH,
Sitz Owen, Registergericht Stuttgart, HRB 230550
Geschäftsführer: Dr. Harald Grübel (Vorsitzender), Karsten Just
USt-IdNr. DE 145912521 | Zollnummer 2554232
Es gelten ausschließlich unsere aktuellen Verkaufs- und Lieferbedingungen
Only our current Terms and Conditions of Sale and Delivery shall apply

Nr. 609432-2010/11

LEO-ZQM-149-01-FO