



Ident system RFI

TFI Transponder

Part No. 501 05183



- Suitable for read-write units of the RFI ... L120 series

Disc transponder

TFI 03 1101.120/TFI 05 1101.120

- Low-price disc transponder with fixcode (World TAG)

High temperature disc transponder

TFI 03 1601.120/TFI 05 1601.120

- Disc transponder with fixcode for temperatures up to 200°C

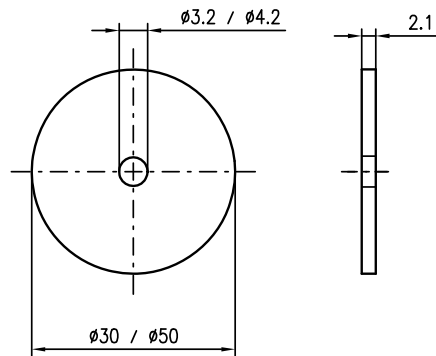
Spacer for disc transponder

TFI 03.../TFI 05...

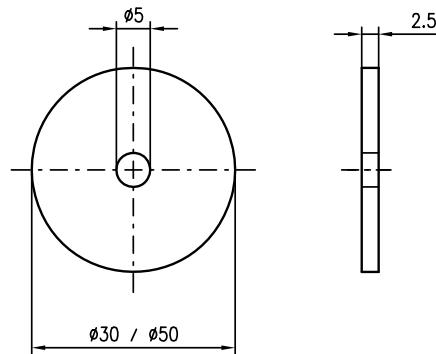
- 12 mm thick spacer for disc transponder Ø 36 mm and Ø 56 mm

Dimensioned drawing

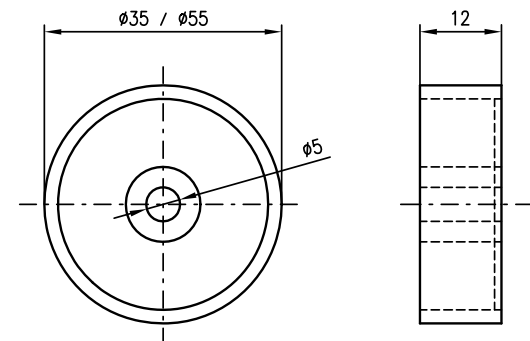
TFI 03 1101.120 / TFI 05 1101.120
50032396 / 50032395



TFI 03 1601.120 / TFI 05 1601.120
50039070 / 50039069



Spacer 30 HT / Spacer 50 HT
50107102 / 50107103



We reserve the right to make changes * tfi_01gb.fm

Specifications

Characteristic values

Working frequency	125 kHz
Read distance	see Diagrams
Data carrier speed	max. 0.6 m/s (see Diagrams)
Data storage	see table
Memory structure	1 block
Memory access	read only
Data protocol	EM4002
Material	PC
Colour	black, partially printed

Tables

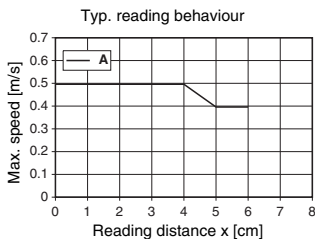
Meaning	Bits	Access
Transponder ID	8	No
User data	32	Yes, read only
Header/parity bits	24	No

Type	Memory	Protection class	Dimensions	Ambient temperature Operation	Ambient temperature Storage ¹⁾	Weight
Disc transponder						
TFI 03 1101.120	64 bits	IP 67	Ø 30x2.1 mm	-20°C ... +70°C	-40°C ... +90°C	2.8g
TFI 05 1101.120	64 bits	IP 67	Ø 50x2.1 mm	-20°C ... +70°C	-40°C ... +90°C	4g
High temperature disc transponder						
TFI 03 1601.120	64 bits	IP 67	Ø 30x2.5 mm	-20°C ... +85°C	-20°C ... +200°C	3.5g
TFI 05 1601.120	64 bits	IP 67	Ø 50x2.5 mm	-20°C ... +85°C	-20°C ... +200°C	4.5g
Spacer						
Spacer 30 HT	—	—	Ø 36x12 mm	-40°C ... +200°C	-40°C ... +200°C	3g
Spacer 50 HT	—	—	Ø 56x12 mm	-40°C ... +200°C	-40°C ... +200°C	4g

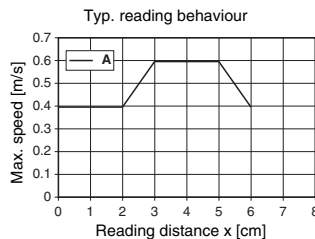
1) 200°C for max. 50h, max. +125°C permanent

Diagrams

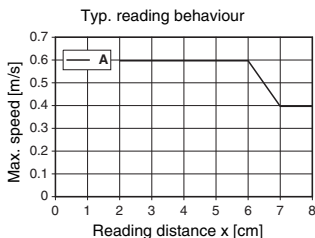
TFI 03 1101.120



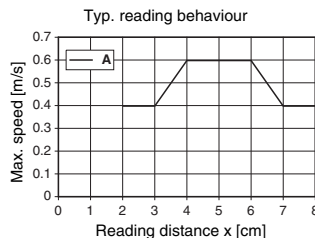
TFI 03 1601.120



TFI 05 1101.120



TFI 05 1601.120



A With reading unit RFI 32 L 120



The values specified may deviate as a result of temperature influences, installation site, read angle, etc.

Order guide

Disc transponder

Ø 30 x 2.1 mm, 32 Bit fixcode
Ø 50 x 2.1 mm, 32 Bit fixcode

High temperature disc transponder

Ø 30 x 2 mm, 32 Bit fixcode
Ø 50 x 2 mm, 32 Bit fixcode

Spacer for disc transponder

Ø 36 mm for TFI 03 11...
Ø 56 mm for TFI 05 11...

Designation

Part No.

TFI 03 1101.120	500 32396
TFI 05 1101.120	500 32395
TFI 03 1601.120	500 39070
TFI 05 1601.120	500 39069
Spacer 30 HT	501 07102
Spacer 50 HT	501 07103

Remarks

The read-only transponders TFI 03 1101.120 and TFI 05 1101.120 are low-price data carriers with fixcode for identification applications in industrial environments.

The high temperature transponders TFI 03 1601.120 and TFI 05 1601.120 are data carriers with fixcode for high temperatures up to 200°C.