



PRK 95

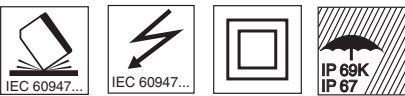
Retro-reflective photoelectric sensors with polarisation filter



0 ... 3m

10 - 30 V
DC

- Retro-reflective photoelectric sensors for safe detection of transparent media (e.g. clear glass, PE, foil)
- User controlled sensitivity adjustment with high resolution allows detection of transparent objects
- The autocollimation principle used ensures that the device functions reliably over the entire range (0 ... max.)
- Small construction with glass cover and robust zinc diecast housing, protection class IP 67/IP 69K for industrial application
- Polarisation filter blocks unwanted reflections

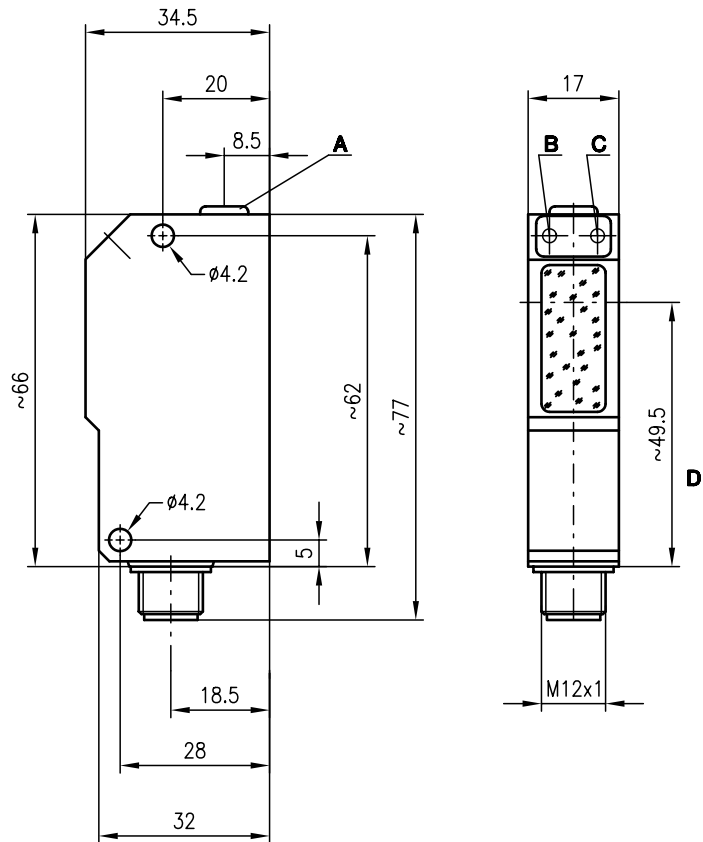


Accessories:

(available separately)

- Mounting systems (BT 95, UMS 1, UMS 96-95)
- M12 connectors (KD ...)
- Reflectors
- Reflective tapes

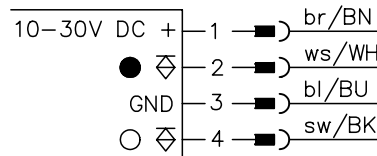
Dimensioned drawing



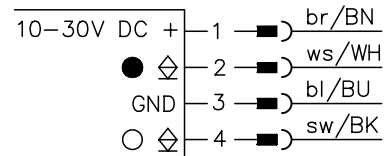
- A Sensitivity adjustment
- B Switching indicator yellow
- C Operation indicator green
- D Optical axis

Electrical connection

PRK 95/44 L.4



PRK 95/22 L.4



We reserve the right to make changes • 95_b02e.fm

Specifications

Optical data

Typ. operating range limit (TK(S) 100x100) ¹⁾	0 ... 3m
Operating range ²⁾	see tables
Light beam characteristic	divergent
Light source	LED (modulated light)
Wavelength	660nm (visible red light, polarised)
Gap detection	≤ 5mm in the range between 0 ... 300mm

Timing

Switching frequency	1000Hz
Response time	0.5ms
Delay before start-up	≤ 100ms

Electrical data

Operating voltage U_B	10 ... 30VDC (incl. residual ripple)
Residual ripple	≤ 15% of U_B
Bias current	≤ 35mA
Switching output	2 PNP or 2 NPN transistor outputs, complementary
Function characteristics	light/dark switching
Signal voltage high/low	≥ ($U_B - 2V$) / ≤ 2V
Output current	max. 100mA
Sensitivity	adjustable with 10-turn potentiometer

Indicators

LED green	ready
LED yellow, slowly flashing	operating point 1 clear glass transition from quickly flashing to slowly flashing / light path free
LED yellow, quickly flashing	operating point 2 coloured glass transition from continuous light to quickly flashing / light path free
LED yellow, continuous light	operating point 3 non transparent media continuous light/light path free

Mechanical data

Housing	diecast zinc
Optics cover	glass
Weight	90g
Connection type	M12 connector, stainless steel, 4-pin

Environmental data

Ambient temp. (operation/storage) ³⁾	-25°C (-30°C) ... +55°C / -40°C ... +55°C
Protective circuit ⁴⁾	2, 3
VDE safety class ⁵⁾	II, all-insulated
Protection class	IP 67, IP 69K ⁶⁾
LED class	1 (acc. to EN 60825-1)
Standards applied	IEC 60947-5-2

- 1) Typ. operating range limit: max. attainable range without performance reserve
- 2) Operating range: recommended range with performance reserve
- 3) -30°C with operating voltage continuously applied
- 4) 2=polarity reversal protection, 3=short-circuit protection for all outputs
- 5) Rating voltage 250 VAC
- 6) IP 69K test acc. to DIN 40050 part 9 simulated, high pressure cleaning conditions without the use of additives, acids and bases are not part of the test

Order guide

	Designation	Part No.
With PNP switching output	PRK 95/44 L.4	500 25609
With NPN switching output	PRK 95/22 L.4	500 29051

Tables

Reflectors	Operating range
1 TK(S) 100x100	0 ... 1.8m
2 MTK(S) 50x50	0 ... 1.8m
3 TK(S) 30x50	0 ... 1.1m
4 TK(S) 20x40	0 ... 1.0m
5 Tape 2 100x100	0 ... 0.4m

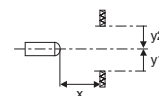
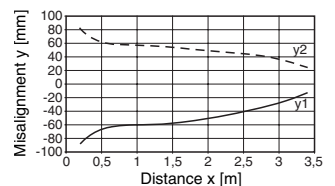
1 0	1.8	3
2 0	1.8	3
3 0	1.1	1.8
4 0	1.0	1.7
5 0	0.4	0.7

□ Operating range [m]
 ▒ Typ. operating range limit [m]

TK ... = adhesive
 TKS ... = screw type
 Tape 2 = adhesive

Diagrams

Typ. response behaviour (TK 100x100)



Remarks

- The retro-reflective photoelectric sensor is also available with integrated AS-i chip for direct connection to the AS-i system.

Objects	Adjustment (indicator LED yellow)
Clear glass, PE, foil	Operating pt. 1
Coloured glass	Operating pt. 2
Opaque objects	Operating pt. 3