



Model Number

IRH-30GM-V1

Read head

Features

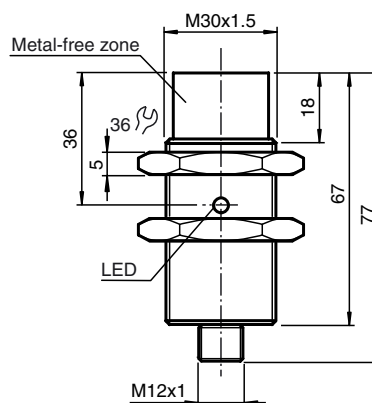
- With thread M30 x 1.5
- Connection via plug connection V1 (M12 x 1)
- Dual-LED for function display
- Protection degree IP67

Accessories

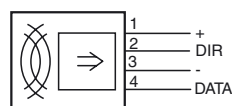
V1-G-IVH-5M-PUR-ABG
Cable connector, screened

V1-G-IVH-15M-PUR-ABG
Cable connector, screened

Dimensions



Electrical connection



Technical data

General specifications

Distance	distance tables, see introduction
----------	-----------------------------------

Indicators/operating means

LED green/yellow	green: Power on yellow: code carrier detected
------------------	--

Electrical specifications

Power consumption	P_0	1.1 W
-------------------	-------	-------

Ambient conditions

Ambient temperature	-25 ... 70 °C (248 ... 343 K)
Storage temperature	-40 ... 85 °C (233 ... 358 K)

Mechanical specifications

Protection degree	IP67 according to EN 60529
Connection	plug connection V1
Material	
Housing	high grade steel (stainless), PTB
Installation	
In metal	not embeddable, overshoot at least 10 mm
Distance between two heads	≥ 300 mm

Notes

The read heads cannot be embedded in a metal surface, as the read distance would be reduced thereby. In order to avoid mutual interference, the distance between the two read heads should be at least 300 mm.