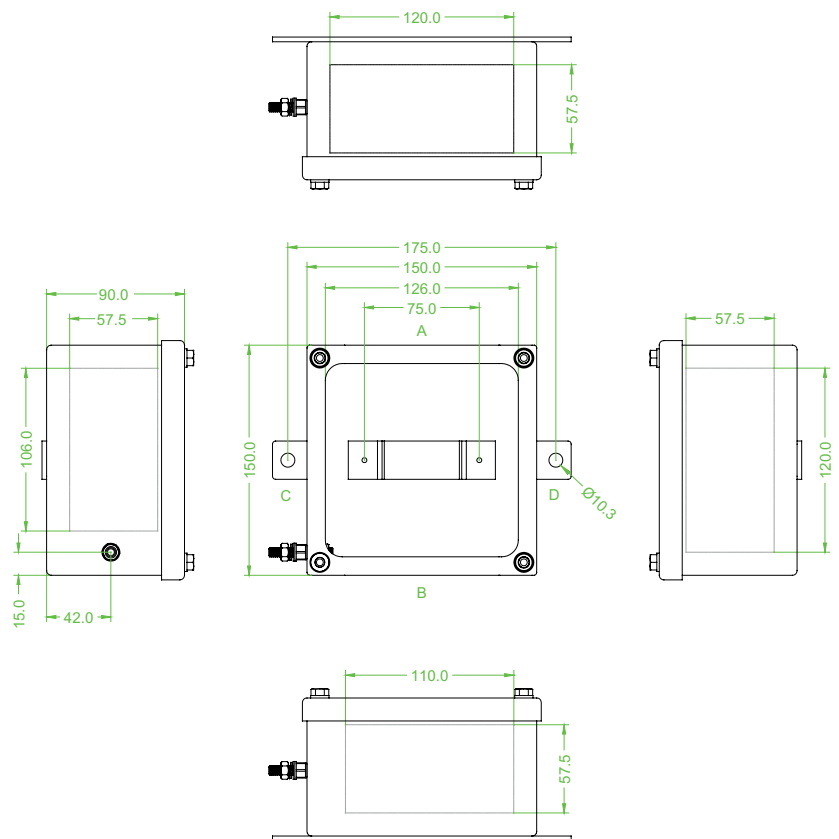




### Features

- 150 mm x 150 mm x 90 mm
- Ex ia certified
- 316L Stainless Steel
- M6 internal/external brass earth stud
- Installation in Zone 0, Zone 1, Zone 2, Zone 21 and Zone 22

### Dimensions (mm)



### Technical data

#### Conformity

Protection degree EN 60529

#### Ambient conditions

Ambient temperature -40 ... 85 °C (-40 ... 185 °F)

#### Mechanical specifications

Height 150 mm

Width 150 mm

Depth 90 mm

Enclosure cover fully detachable

Cover fixing M6 stainless steel hexagon head slotted screws

Protection degree IP66

Cable entry thru-holes direct through body

Defined entry area

Face A 57.5 mm x 120 mm

Face B 57.5 mm x 110 mm

Face C 57.5 mm x 106 mm

Face D 57.5 mm x 120 mm

Terminal assembly

Rail orientation horizontal

Number of rails 1

Usable length per rail 71 mm

Material

Enclosure 1.5 mm 316L, (1.4404) stainless steel

Finish stainless steel - electropolished

Seal one piece closed cell neoprene

Mass approx. 1.9 kg

Mounting thru-holes Ø10.3 mm

Grounding	M6 internal/external brass grounding bolt
<b>Data for application in connection with Ex-areas</b>	
EC-Type Examination Certificate	SIRA 99 ATEX 3199
Group, category, type of protection, temperature class	⊕ II 1 G, ⊕ II 2 D Ex ia IIC T6 Ga, Ex tb IIIC T80 °C Db ( ta ... +40°C ) Ex ia IIC T5 Ga, Ex tb IIIC T95 °C Db ( ta ... +55°C ) Ex ia IIC T4 Ga, Ex tb IIIC T130 °C Db ( ta ... +85°C )
Maximum power dissipation	11 W
<b>International approvals</b>	
IECEX approval	IECEX SIR 06.0074
GOST-R approval	GOST-R B01008
<b>General information</b>	
Supplementary information	EC-Type Examination Certificate, Statement of Conformity, Declaration of Conformity, Attestation of Conformity and instructions have to be observed where applicable. For information see <a href="http://www.pepperl-fuchs.com">www.pepperl-fuchs.com</a> .

### Guide to Entry Capacity

Gland size mm	20	25	32
Side A + B	4	3	2
Side C + D	4	3	2