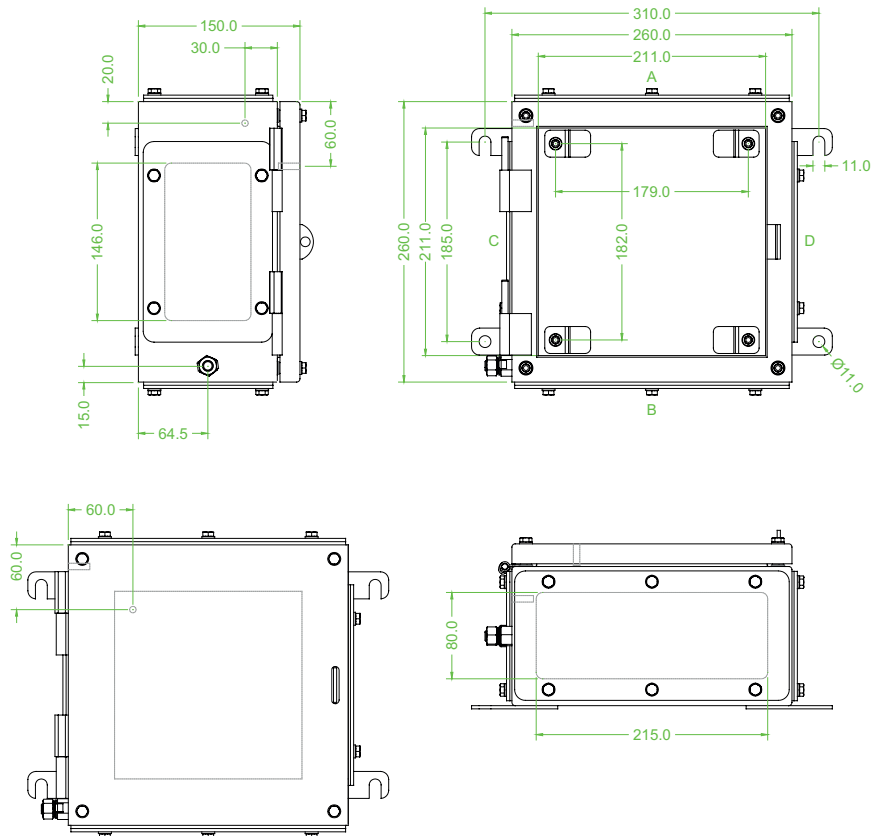


Features

- 260 mm x 260 mm x 150 mm
- CR4 Mild Steel
- Installation in Zone 1, Zone 2, Zone 21 and Zone 22
- Straight Edge Sealing
- 2 Gland Plates
- M10 internal/external brass earth stud
- Ex e certified

Dimensions (mm)



4 gland plate drawing and image shown.

Technical data

Conformity

Protection degree EN 60529

Ambient conditions

Ambient temperature -40 ... 85 °C (-40 ... 185 °F)

Mechanical specifications

Height 260 mm

Width 260 mm

Depth 150 mm

Enclosure cover fully detachable
exposed hinges

Cover fixing M6 stainless steel hexagon head slotted screws

Safety Padlockable hasp

Protection degree IP66/67

Cable entry thru-holes direct through body
or via gland plate

Gland plate on face(s) A & B

Defined entry area

Faces A and B 80 mm x 215 mm

Faces C and D 80 mm x 146 mm

Terminal assembly

Rail orientation vertical or horizontal

Number of rails vertical: 2
horizontal: 2

Usable length per rail vertical: 170 mm
horizontal: 165 mm

Material

Enclosure 1.5 mm mild steel CR4

Gland plate 3 mm mild steel CR4

| | |
|---|--|
| Finish | powder coated RAL 7032 |
| Seal | one piece closed cell neoprene |
| Mass | approx. 4.5 kg |
| Mounting | 2x thru-holes Ø11 mm 2x hook feet with 11 mm wide slots |
| Grounding | M10 internal/external brass grounding bolt M6 internal stainless steel grounding bolt welded to lid M6 internal stainless steel grounding bolt welded to body |
| Data for application in connection with Ex-areas | |
| EC-Type Examination Certificate | SIRA 99 ATEX 3199 |
| Group, category, type of protection, temperature class | ⊕ II 2 GD Ex e IIC T6 Gb, Ex tb IIIC T80 °C Db (ta ... +40°C) Ex e IIC T5 Gb, Ex tb IIIC T95 °C Db (ta ... +55°C) Ex e IIC T4 Gb, Ex tb IIIC T130 °C Db (ta ... +85°C) |
| Maximum power dissipation | 15 W |
| International approvals | |
| IECEX approval | IECEX SIR 06.0074 |
| GOST-R approval | GOST-R B01008 |
| General information | |
| Supplementary information | EC-Type Examination Certificate, Statement of Conformity, Declaration of Conformity, Attestation of Conformity and instructions have to be observed where applicable. For information see www.pepperl-fuchs.com . |
| Accessories | |
| Optional accessories | Equipment mounting plate, same material as box M10 internal/external stainless steel grounding bolt |

Guide to Entry Capacity

| | | | |
|---------------|----|----|----|
| Gland size mm | 20 | 25 | 32 |
| Side A + B | 12 | 9 | 4 |
| Side C + D | 8 | 6 | 3 |