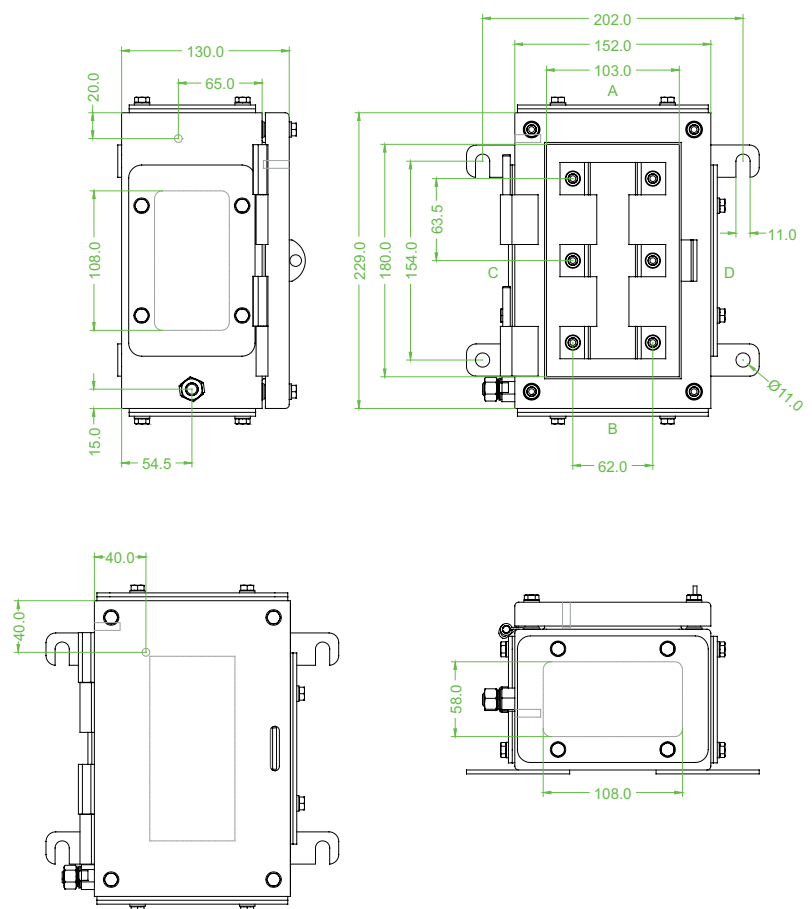




### Features

- 229 mm x 152 mm x 130 mm
- 316L Stainless Steel
- Installation in Zone 0, Zone 1, Zone 2, Zone 21 and Zone 22
- Straight Edge Sealing
- 2 Gland Plates
- M10 internal/external brass earth stud
- Ex ia certified

### Dimensions (mm)



4 gland plate drawing and image shown.

### Technical data

#### Conformity

Protection degree EN 60529

#### Ambient conditions

Ambient temperature -40 ... 85 °C (-40 ... 185 °F)

#### Mechanical specifications

Height 229 mm

Width 152 mm

Depth 130 mm

Enclosure cover fully detachable  
exposed hinges

Cover fixing M6 stainless steel hexagon head slotted screws

Safety Padlockable hasp

Protection degree IP66/67

Cable entry thru-holes direct through body  
or via gland plate

Gland plate on face(s) A & B

Defined entry area

Faces A and B 58 mm x 108 mm

Faces C and D 58 mm x 108 mm

Terminal assembly

Rail orientation vertical or horizontal

Number of rails vertical: 1  
horizontal: 1

Usable length per rail vertical: 115 mm  
horizontal: 50 mm

Material

Enclosure 1.5 mm 316L, (1.4404) stainless steel

Gland plate 3 mm 316L, (1.4404) stainless steel

|   |  |
|---|--|
| Finish  | electropolished  |
| Seal  | one piece closed cell neoprene   |
| Mass  | approx. 3.5 kg   |
| Mounting  | 2x thru-holes Ø11 mm<br>2x hook feet with 11 mm wide slots   |
| Grounding   | M10 internal/external brass grounding bolt<br>M6 internal stainless steel grounding bolt welded to lid<br>M6 internal stainless steel grounding bolt welded to body  |
| <b>Data for application in connection with Ex-areas</b> |  |
| EC-Type Examination Certificate                         | SIRA 99 ATEX 3199  |
| Group, category, type of protection, temperature class  | ⊕ II 1 G, ⊕ II 2 D<br>Ex ia IIC T6 Ga, Ex tb IIIC T80 °C Db ( ta ... +40°C )<br>Ex ia IIC T5 Ga, Ex tb IIIC T95 °C Db ( ta ... +55°C )<br>Ex ia IIC T4 Ga, Ex tb IIIC T130 °C Db ( ta ... +85°C )  |
| Maximum power dissipation                               | 15 W   |
| <b>International approvals</b>                          |  |
| IECEX approval  | IECEX SIR 06.0074  |
| GOST-R approval   | GOST-R B01008  |
| <b>General information</b>                              |  |
| Supplementary information                               | EC-Type Examination Certificate, Statement of Conformity, Declaration of Conformity, Attestation of Conformity and instructions have to be observed where applicable. For information see <a href="http://www.pepperl-fuchs.com">www.pepperl-fuchs.com</a> . |
| <b>Accessories</b>                                      |  |
| Optional accessories                                    | Equipment mounting plate, same material as box<br>M10 internal/external stainless steel grounding bolt   |

### Guide to Entry Capacity

|               |    |    |    |
|---------------|----|----|----|
| Gland size mm | 20 | 25 | 32 |
| Side A + B    | 3  | 2  | 2  |
| Side C + D    | 3  | 2  | 2  |