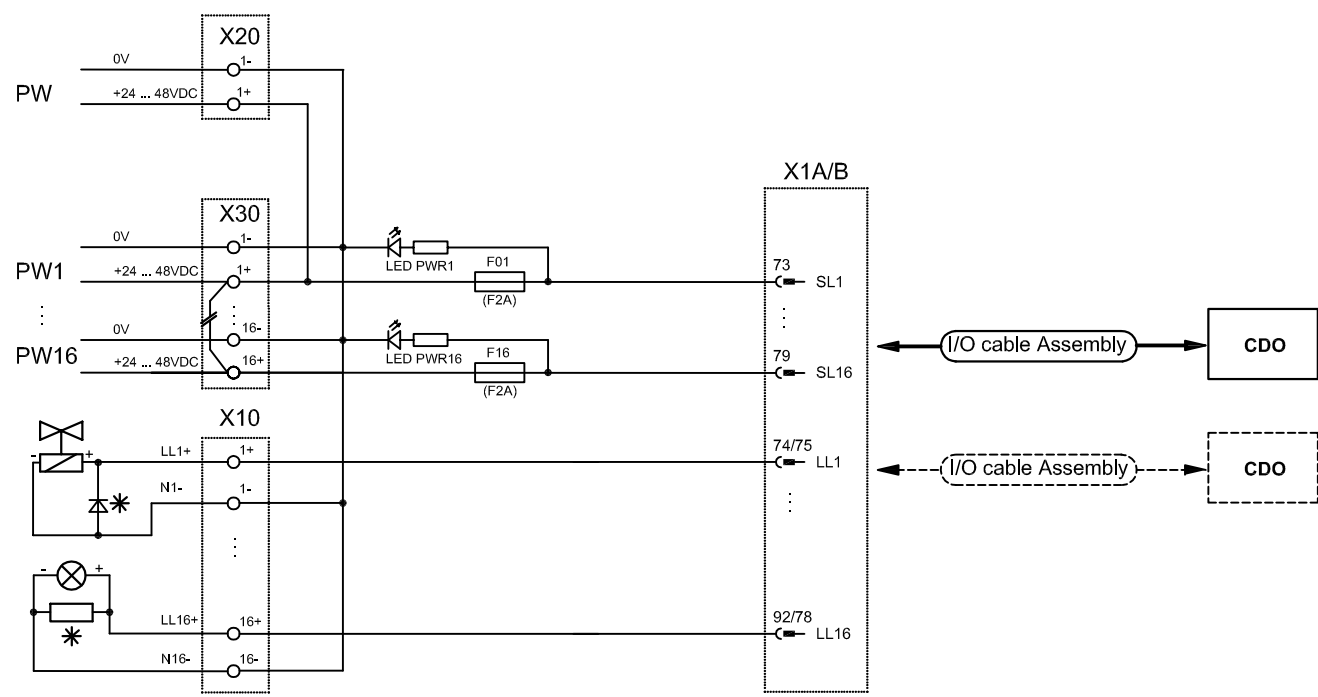


Technical Description	Connector	Signal
Field termination: X10	Screw terminal 2.5 mm ²	DO 24 V ... 48 VDC/2 A
System connector: X1A, X1B	104 pin female	16 x DO
Power feed : X20	Screw terminal 2.5 mm ²	24 V ... 48 VDC/8 A

Function:
 Termination-Board to connect to the Yokogawa Prosafe-PLC card Type CDO. The TB System connector X1A/B links to the PLC I/O card via a standard cable supplied by Yokogawa. Two system connectors in parallel allow for redundant applications. The connections to/from the field (X10.xx) are screw terminals. Each channel has a separate power supply feed (X20..) and is protected by a 2 A fuse. Following field devices are supported: Solenoid valve, actuators, motor starter. (See circuit diagram). The board is designed to be mounted vertically on DIN-Rail (DIN EN5022). ** Inductive load must be provided with a suppression diode!

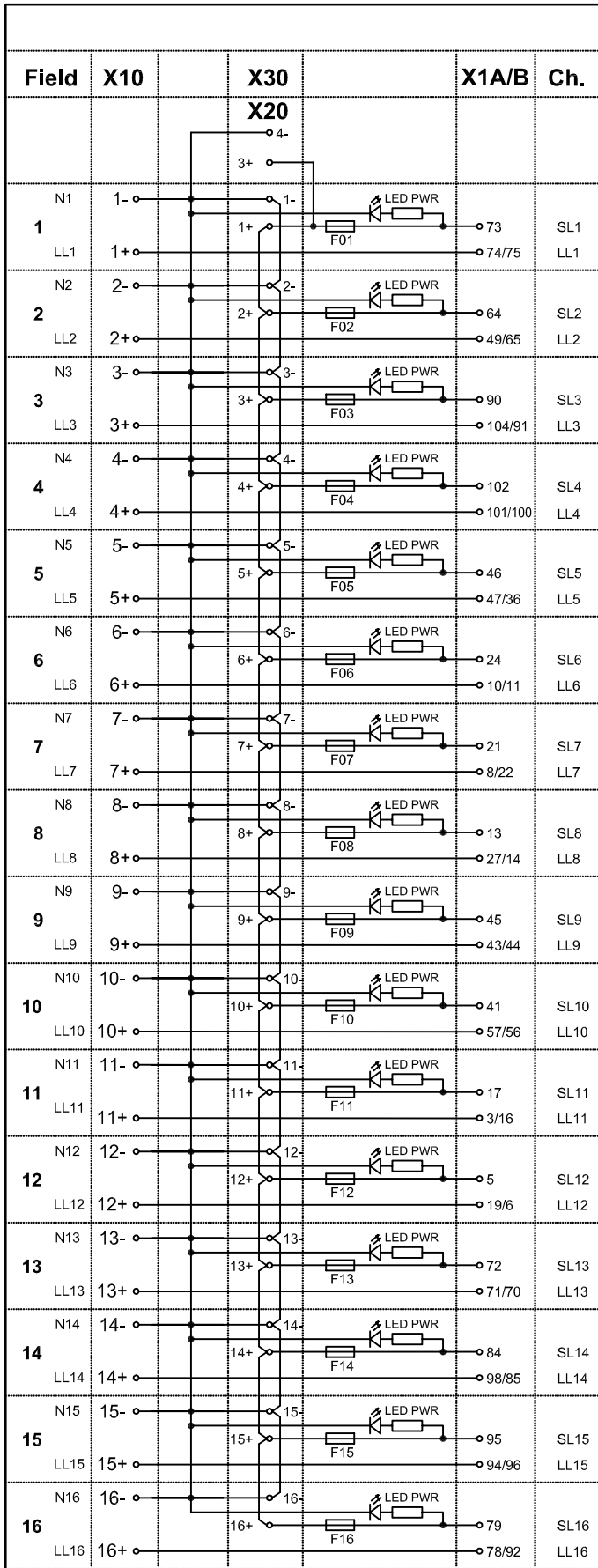
Circuit diagram



* Max. load 2 A
 For small (< 50 mA) and inductive loads install load adapter!

copyright according to DIN34 unauthorized distribution and reproduction prohibited

	FI-Module Non IS termination board 16 DO channels TB-DO16-MO-CDO-127729	02.11.03	BK	Sb	Sb	
		Date	S TZ	Off. in ch.	contr. techn.	contr. Norm
		Dept.: PA-PG-IF	No.36-9266B			
		Up date: HB 02.11.10	Replaces: XXXXX / 36-XXXX		Sheet 1	
		Scale: 1 : 2		of 2		



External link on X30 (Factory set)

11.08.03		BK	vB	Sb/vB	
Date	S	TD	Off. in ch.	contr. techn.	contr. Norm
Dept.: PA-PG-IF			No. 36-9266B		
Up date: 02.11.10			Replaces: xxxxxx / 36-xxxx		Sheet 2
Scale:				of 2	



Wiring for FI Module
 Non IS termination board
 16 DO channels
TB-DO16-MO-CDO-127729