

Modular Installation Devices, Mounting Depth 55 mm >N< Switching Devices

5TT5 remote control switches

Schematics

5TT5 5 . 1



5TT5 5 . 2



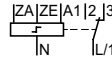
5TT5 5 . 3



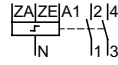
5TT5 5 . 6



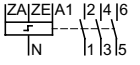
5TT5 535



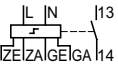
5TT5 534



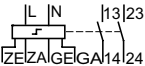
5TT5 537



5TT5 150
5TT5 151



5TT5 152
5TT5 153



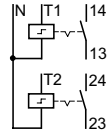
5TT5 16



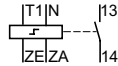
5TT5 601
5TT5 602
5TT5 603



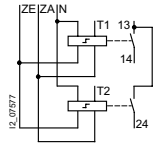
5TT5 605
5TT5 606
5TT5 607



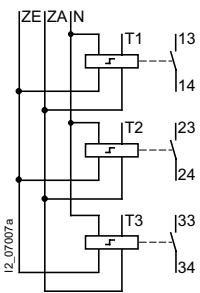
5TT5 611



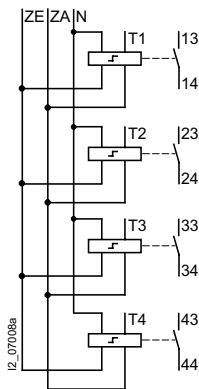
5TT5 612



5TT5 613



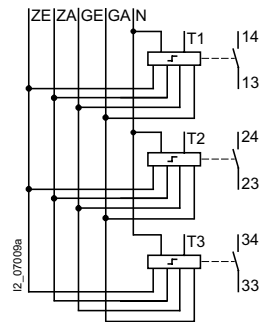
5TT5 614



5TT5 621



5TT5 623



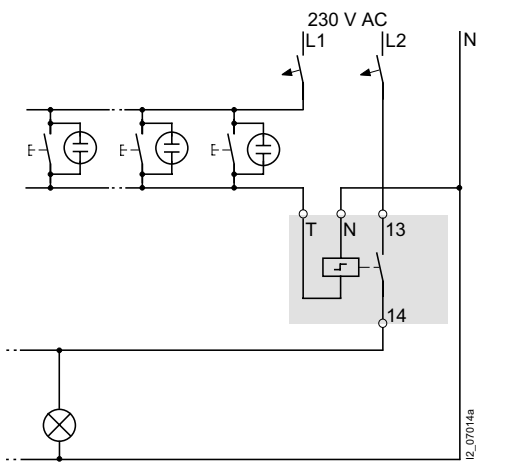
5TT5 431



5TG8 230

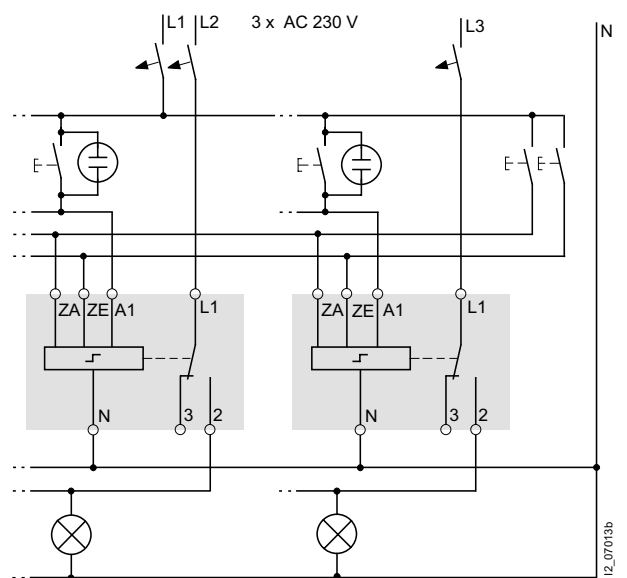


Switching example: 5TT5 602



Single-phase lighting circuit with 230 V AC actuation, e.g. in office buildings

Switching example: 5TT5 535 with central ON/OFF switching



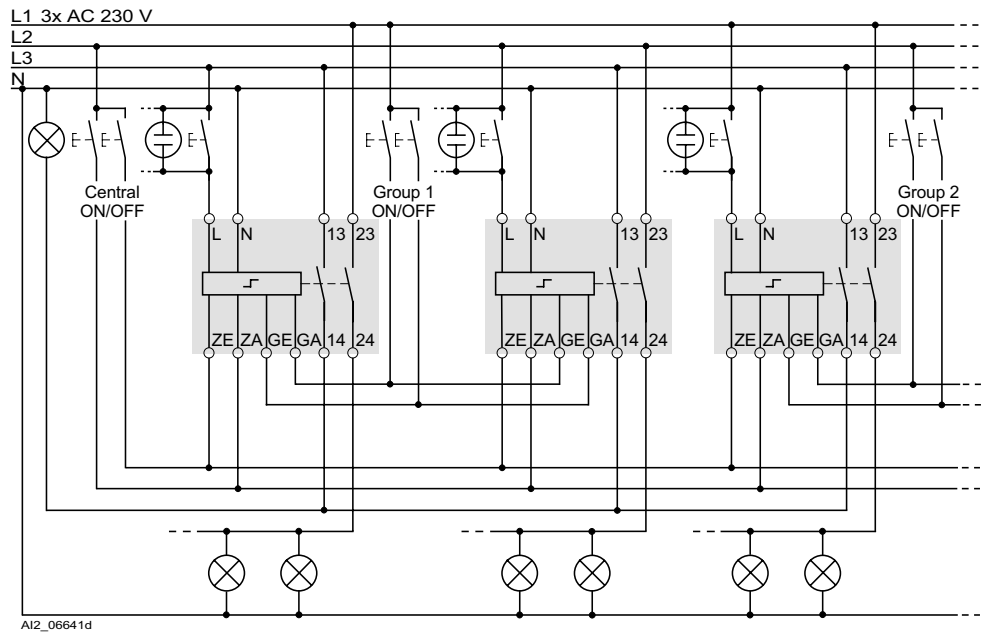
With the 2-pushbutton central "ON" and "OFF" function, all remote control switches can be switched on or off from a central point, e.g. at the start and end of work. A time switch with a one-second pulse can also be used if desired. Once a central ON/OFF switching operation has been executed, the remote control switches can also be switched on and off locally at any time. The phase relation of ZA, ZE and A1 is arbitrary.

Modular Installation Devices, Mounting Depth 55 mm >N< Switching Devices

5TT5 remote control switches

Schematics

Switching example: 5TT5 153 with central ON/OFF switching

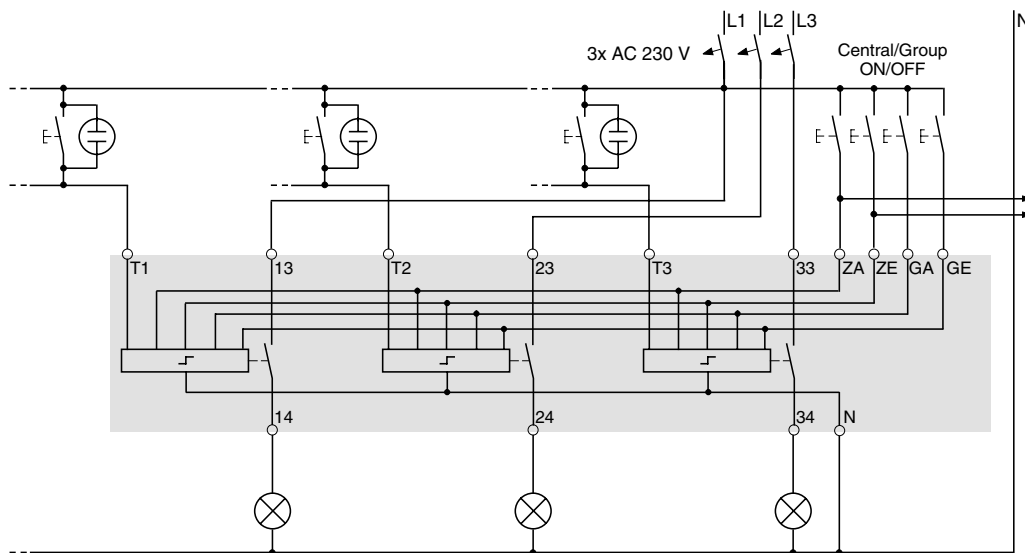


AI2_06641d

With the 2-pushbutton central "ON" and "OFF", all remote control switches can be switched on or off from a central point, e.g. at the start and end of work. With the 2 pushbutton group "ON" and "OFF" function, all remote control switches assigned to the respective group, e.g. halls, are switched ON/OFF. A time switch with a one-second pulse can also be used with the "central" and "group" function if desired.

Once a central ON/OFF switching operation has been executed, the remote control switches can also be switched on and off locally at any time. The phase relation of ZA, ZE and GA, GE and L do not have to be the same. If the contact 13/14 is used for the central "ON" and "OFF" function as a check-back contact, as shown above, terminals 13 of all remote control switches must be in-phase.

Switching example: 5TT5 623



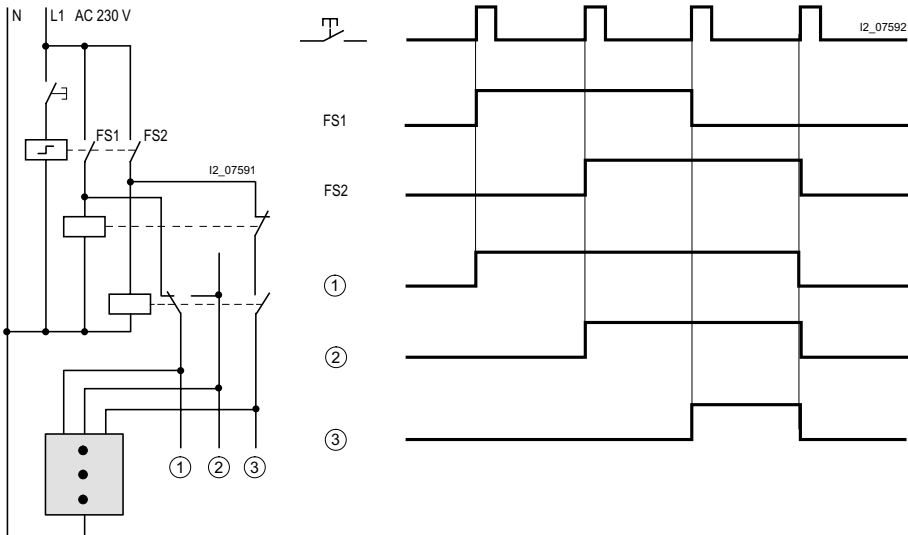
R2_07269b

The 5TT5 623 remote control switch comprises 3 separately controllable remote control switches for central/group ON/OFF with housing-internal wiring of the central/group ON/OFF function. In our example, we have used pushbuttons to control the central/group ON/OFF function. However, if the room pushbuttons T1 to T3 are to

be permanently locked, then switches must be used for the central/group ON/OFF function instead of pushbuttons. Voltage must not be applied to ZA/ZE and GA and GE simultaneously. This type of priority, the permanent locking of system pushbuttons, e.g. prisons, security areas (banks, exhibitions), should only be switched centrally.

Schematics

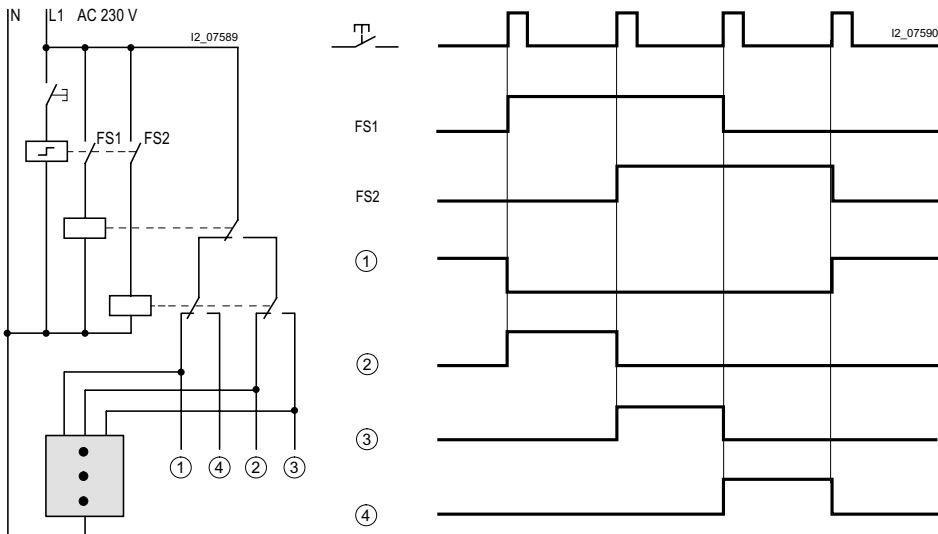
Switching example: triple tap-changing gear and neutral position – 1 and 2 and 3



Devices required:

- 5TT5 164 series remote control switch
- 5TT3 065 or 5TT3 075 switching relay
- 5TE5 804 indicator lights

Switching example: quadruple tap-changing gear – 1 or 2 or 3 or 4



Devices required:

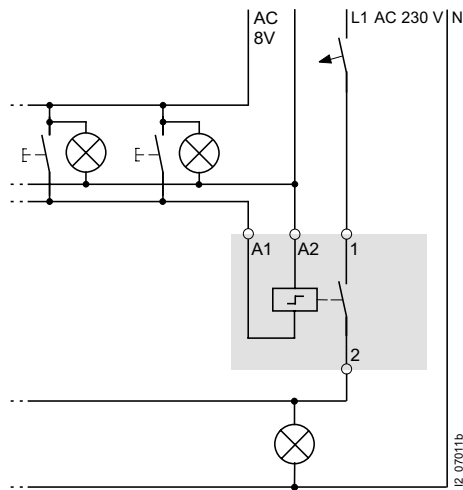
- 5TT5 164 series remote control switch
- 5TT3 065 or 5TT3 075 switching relay
- 5TE5 804 indicator lights

Modular Installation Devices, Mounting Depth 55 mm >N< Switching Devices

5TT5 remote control switches

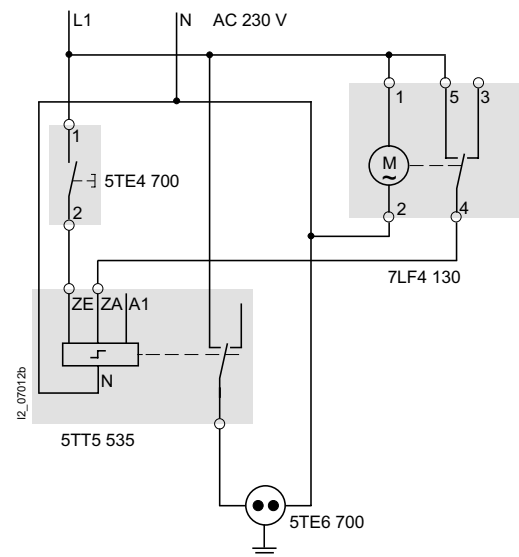
Schematics

Switching example 5TT5 511



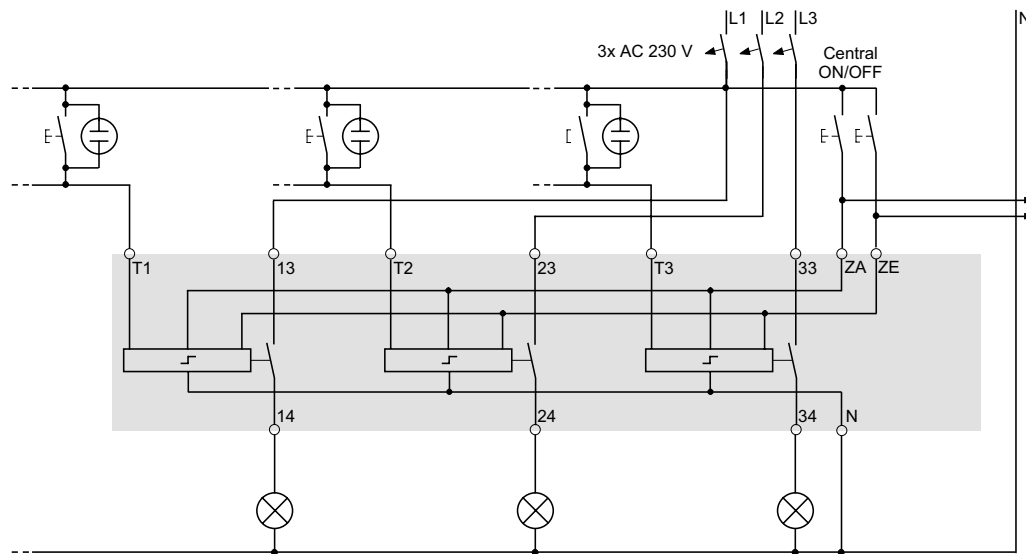
Single-phase lighting circuit with safety extra-low voltage 8 V AC, pushbutton and glow lamp.

Switching example: 5TT5 535 with ON/OFF time switching



Printers and copiers are to be switched on with the pushbutton at the beginning of the working day. At the end of the working day, e.g. 6 p.m. to 10 p.m., an hourly one-second pulse of the time switch switches the outlet off. This ensures that printers and copiers are not "forgotten". If the device is switched on again after 6 p.m., a switch-off is actuated again hourly.

Switching example: 5TT5 613 with central ON/OFF switching

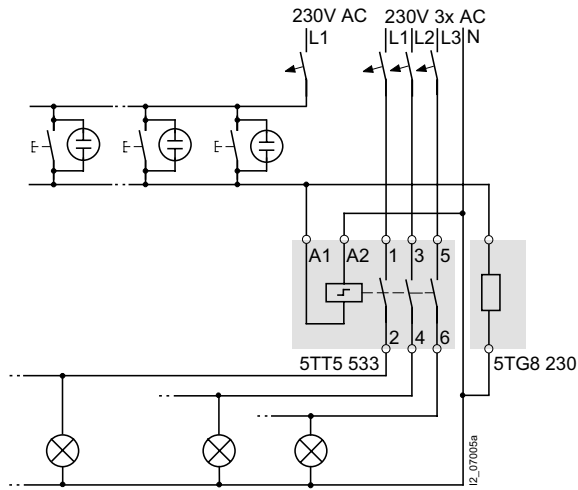


AI2_07587a

The 5TT5 613 remote control switch comprises 3 separately controllable remote control switches for central ON/OFF switching with housing-internal wiring of the central ON/OFF function. In our example, pushbuttons have been used to control the central ON/OFF function. However, if room pushbuttons T1 to T3 are to be permanently locked, switches must be used for the central ON/OFF function instead of pushbuttons. Voltage must not be applied simultaneously to the ZA and ZE terminals. Suitable switches are the 5TE7 141 group switches with center position or double changeover switches for wall mounting.

Schematics

Glow lamp load and line capacity



When the pushbutton is open, the glow lamps in the pushbuttons draw their current over the magnet coil of the remote control switch. If the current is too high, this can prevent the armature from dropping.

The 5TG8 230 compensator, which is switched in parallel to the magnet coil, discharges the current.