

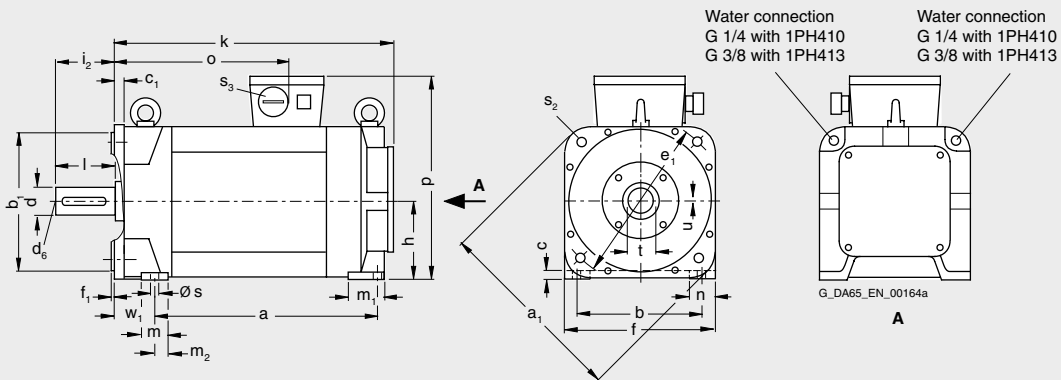
# Asynchronous motors Dimension drawings

## 1PH4 motors Water cooling

For motor		Dimensions in mm (in)																	
Shaft height	Type	DIN IEC	a B	a <sub>1</sub> P	b A	b <sub>1</sub> N	c LA	c <sub>1</sub> -	e <sub>1</sub> -	f AB	f <sub>1</sub> T	h H	i <sub>2</sub> -	k LB	m BA	m <sub>1</sub> -	m <sub>2</sub> -	n AA	
<b>1PH4, type of construction IM B35, water cooling</b>																			
100	<b>1PH4103</b>		349 (13.74)	250 (9.84)	160 (6.30)	180 (7.09)	11 (0.43)	12 (0.47)	215 (8.46)	190 (7.48)	4 (0.16)	100 (3.94)	80 (3.15)	416 (16.38)	35 (1.38)	60 (2.36)	24 (0.94)	40 (1.57)	
	<b>1PH4105</b>		409 (16.10)											476 (18.74)					
	<b>1PH4107</b>		474 (18.66)											541 (21.30)					
132	<b>1PH4133</b>		377 (14.84)	350 (13.78)	216 (8.50)	250 (9.84)	14 (0.55)	16 (0.63)	300 (11.81)	245 (9.65)	5 (0.20)	132 (5.20)	110 (4.33)	458 (18.03)	36 (1.42)	85 (3.35)	24 (0.94)	43 (1.69)	
	<b>1PH4135</b>		447 (17.60)											528 (20.79)					
	<b>1PH4137</b>		497 (19.57)											578 (22.76)					
	<b>1PH4138</b>		532 (20.9)											613 (24.13)					

		DE shaft extension													
Shaft height	Type	DIN IEC	o -	p HD	s K	s <sub>2</sub> K	s <sub>3</sub> -	w <sub>1</sub> C	d D	d <sub>6</sub> -	l E	t GA	u F		
100	<b>1PH4103</b>		244 (9.61)	259 (10.20)	12 (0.47)	14 (0.55)	PG29	44 (1.73)	<b>38</b> (1.50)	M12	80 (3.15)	41 (1.61)	10 (0.39)		
	<b>1PH4105</b>		304 (11.97)												
	<b>1PH4107</b>		369 (14.53)												
132	<b>1PH4133</b>		264 (10.39)	334.5 (13.17)	12 (0.47)	18 (0.71)	PG36	53 (2.09)	<b>42</b> (1.77)	M16	110 (4.33)	45 (1.77)	12 (0.47)		
	<b>1PH4135</b>		334 (13.15)												
	<b>1PH4137</b>		384 (15.12)												
	<b>1PH4138</b>		419 (16.50)												

**1PH410  
1PH413**



G\_DA65\_EN\_00164a

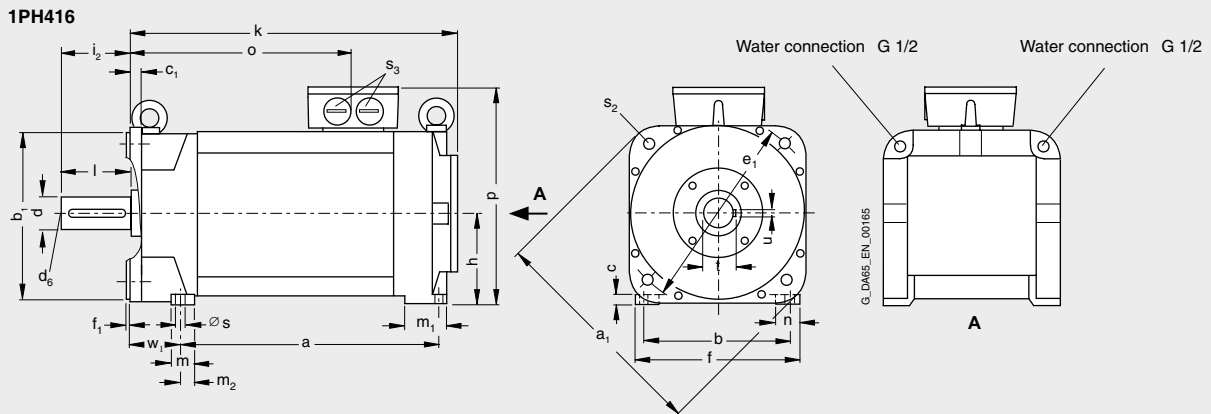
# Asynchronous motors

## Dimension drawings

### 1PH4 motors Water cooling

For motor		Dimensions in mm (in)																	
Shaft height	Type	DIN IEC	a B	a <sub>1</sub> P	b A	b <sub>1</sub> N	c LA	c <sub>1</sub> -	e <sub>1</sub> -	f AB	f <sub>1</sub> T	h H	i <sub>2</sub> -	k LB	m BA	m <sub>1</sub> -	m <sub>2</sub> -	n AA	
<b>1PH4, type of construction IM B35, water cooling</b>																			
160	<b>1PH4163</b>		508 (20.00)	400 (15.75)	254 (10.00)	300 (11.81)	15 (0.59)	18 (0.71)	350 (13.78)	294 (11.57)	5 (0.20)	160 (6.30)	110 (4.33)	591 (23.27)	44 (1.73)	77 (3.03)	29 (1.14)	49 (1.93)	
	<b>1PH4167</b>		563 (22.17)											646 (25.43)					
	<b>1PH4163</b>		608 (23.94)											691 (27.20)					

		DE shaft extension												
Shaft height	Type	DIN IEC	o -	p HD	s K	s <sub>2</sub> K	s <sub>3</sub> -	w <sub>1</sub> C	d D	d <sub>6</sub> -	l E	t GA	u F	
160	<b>1PH4163</b>		407 (16.02)	388 (15.28)	14 (0.55)	18 (0.71)	PG36	56 (2.20)	<b>55</b> (2.17)	M20	110 (4.33)	59 (2.32)	16 (0.63)	
	<b>1PH4167</b>		462 (18.19)											
	<b>1PH4168</b>		507 (19.96)											



7