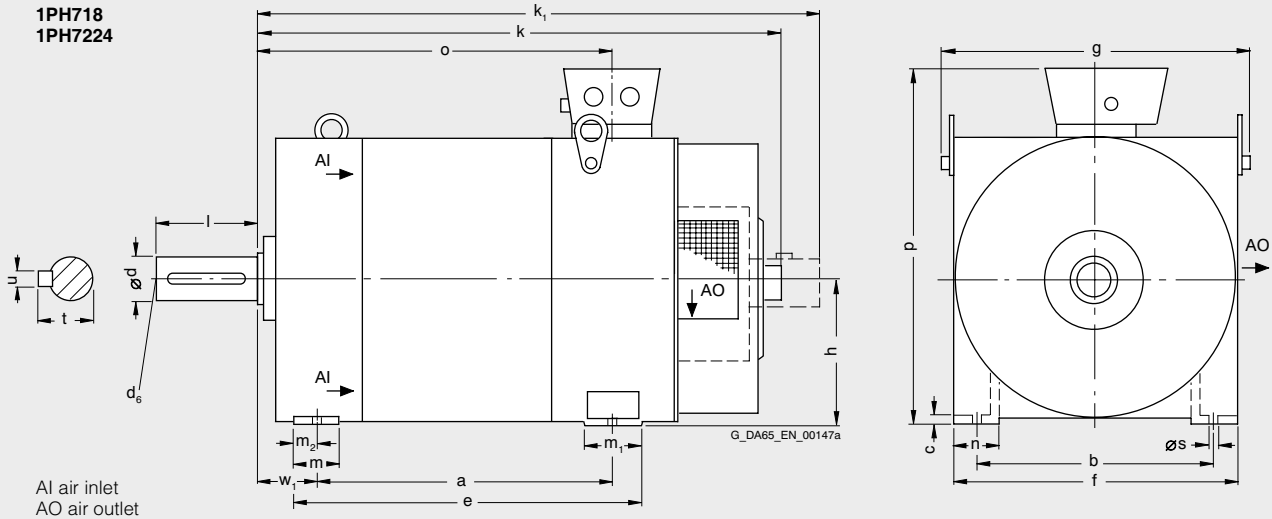


Asynchronous motors Dimension drawings

1PH7 motors Forced ventilation

For motor		Dimensions in mm (in)															Terminal box type 1XB7322	
Shaft height	Type	DIN IEC	a B	b A	c LA	e M	f AB	g AC	h H	k LB	k ₁ -	m BA	m ₁ -	m ₂ -	n AA	o -	p HD	
1PH7, type of construction IM B3, forced ventilation, direction of air flow DE → NDE																		
180	1PH7184		430 (16.93)	279 (10.98)	14 (0.55)	510 (20.08)	360 (14.17)	408 (16.09)	180 (7.09)	835 (32.87)	-	60 (2.36)	120 (4.72)	35 (1.38)	65 (2.56)	541 (21.3)	495 (19.49)	
	1PH7186		520 (20.47)			600 (23.62)				925 (36.42)						631 (24.84)		
225	1PH7224		445 (17.52)	356 (14.02)	18 (0.71)	530 (20.87)	450 (17.72)	498 (19.61)	225 (8.86)	-	1100 (43.31)	60 (2.36)	120 (4.72)	40 (1.57)	85 (3.35)	629 (24.76)	595 (23.43)	

DE shaft extension									
Shaft height	Type	DIN IEC	s K	w ₁ C	d D	d ₆ -	l E	t GA	u F
180	1PH7184		14.5 (0.57)	121 (4.76)	60 (2.36)	M20	140 (5.51)	64 (2.52)	18 (0.72)
	1PH7186				65 (2.56)			69 (2.72)	
225	1PH7224		18.5 (0.73)	149 (5.87)	75 (2.95)	M20	140 (5.51)	79.5 (3.13)	20 (0.79)



Asynchronous motors

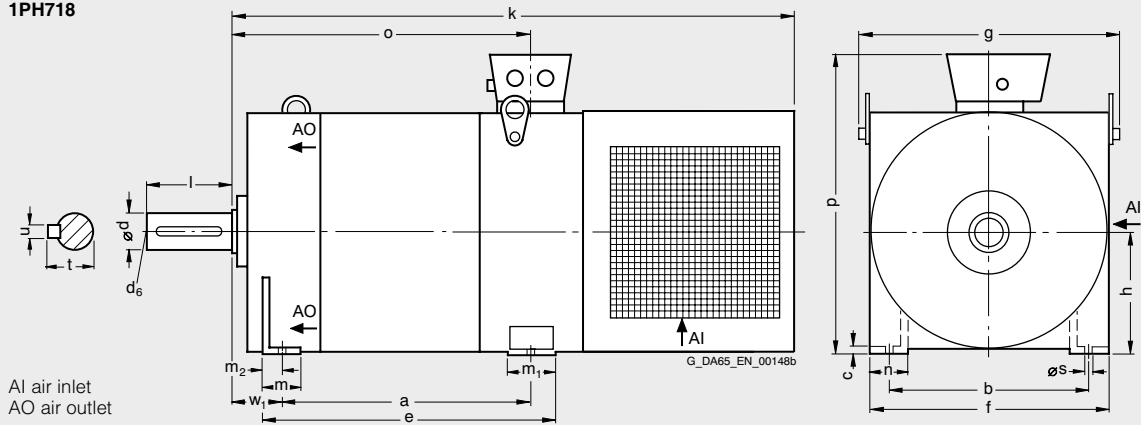
Dimension drawings

1PH7 motors Forced ventilation

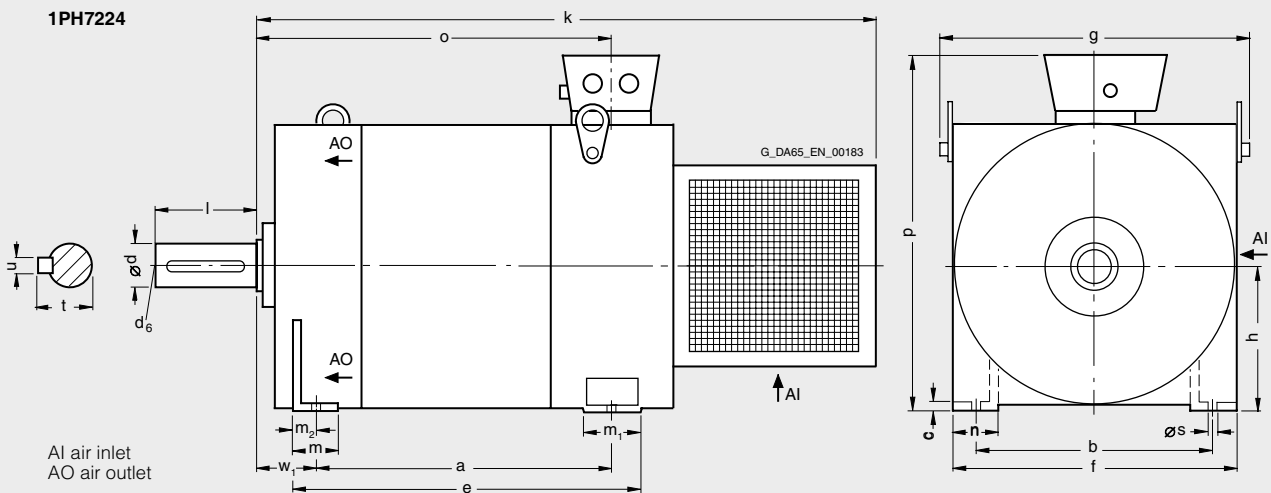
For motor		Dimensions in mm (in)															Terminal box type
Shaft height	Type	DIN IEC	a B	b A	c LA	e M	f AB	g AC	h H	k LB	m BA	m ₁ -	m ₂ -	n AA	o -	p HD	1XB7322
1PH7, type of construction IM B3, forced ventilation, direction of air flow NDE → DE																	
180	1PH7184		430 (16.93)	279 (10.98)	14 (0.55)	510 (20.08)	360 (14.17)	405 (15.94)	180 (7.09)	1010 (39.76)	60 (2.36)	120 (4.72)	35 (1.38)	65 (2.56)	541 (21.3)	495 (19.49)	
	1PH7186		520 (20.47)			600 (23.62)				1100 (43.31)					631 (24.84)		
225	1PH7224		445 (17.52)	356 (14.02)	18 (0.71)	530 (20.87)	450 (17.72)	498 (19.61)	225 (8.86)	1090 (42.91)	60 (2.36)	120 (4.72)	40 (1.57)	85 (3.35)	629 (24.76)	595 (23.43)	

For motor		DE shaft extension							
Shaft height	Type	DIN IEC	s K	w ₁ C	d D	d ₆ -	l E	t GA	u F
180	1PH7184		14.5 (0.57)	121 (4.76)	60 (2.36)	M20	140 (5.51)	64 (2.52)	18 (0.71)
	1PH7186				65 (2.56)			69 (2.72)	
225	1PH7224		18.5 (0.73)	149 (5.87)	75 (2.95)	M20	140 (5.51)	79.5 (3.13)	20 (0.79)

1PH718



1PH7224



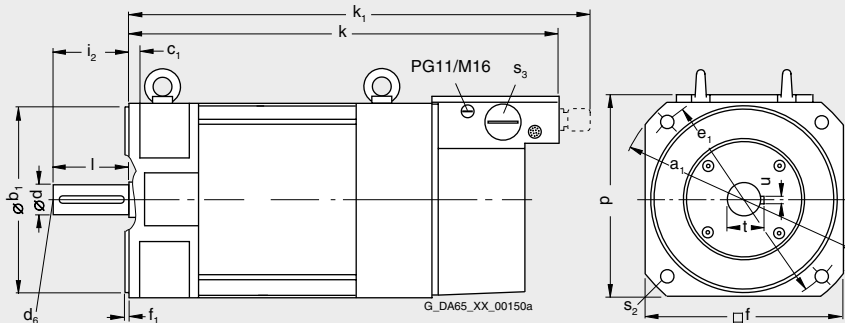
Asynchronous motors

Dimension drawings

1PH7 motors
Forced ventilation

For motor		Dimensions in mm (in)												
Shaft height	Type	DIN IEC	a ₁ P	b ₁ N	c ₁ LA	e ₁ M	f AB	f ₁ T	i ₂ -	k LB	k ₁ -	p HD	s ₂ S	s ₃ -
1PH7, type of construction IM B5, forced ventilation														
100	1PH7101 1PH7103 1PH7105 1PH7107		250 (9.84)	180 (7.09)	10 (0.39)	215 (8.46)	196 (7.72)	4 (0.16)	80 (3.15)	411 (16.18)	434 (17.09)	218 (8.58)	14 (0.55)	PG29/M32
										506 (19.92)	529 (20.83)			
132	1PH7131 1PH7133 1PH7135 1PH7137		350 (13.78)	250 (9.84)	16 (0.63)	300 (11.81)	260 (10.24)	5 (0.2)	110 (4.33)	538 (21.18)	561 (22.09)	273 (10.75)	18 (0.71)	PG36/M40
										623 (24.53)	646 (25.43)			

For motor		DE shaft extension					
Shaft height	Type	DIN IEC	d D	d ₆ -	l E	t GA	u F
1PH7, type of construction IM B5, forced ventilation							
100	1PH7101 1PH7103 1PH7105 1PH7107		38 (1.5)	M12	80 (3.15)	41 (1.61)	10 (0.39)
132	1PH7131 1PH7133 1PH7135 1PH7137		42 (1.65)	M16	110 (4.33)	45 (1.77)	12 (0.47)

1PH710
1PH713


Asynchronous motors

Dimension drawings

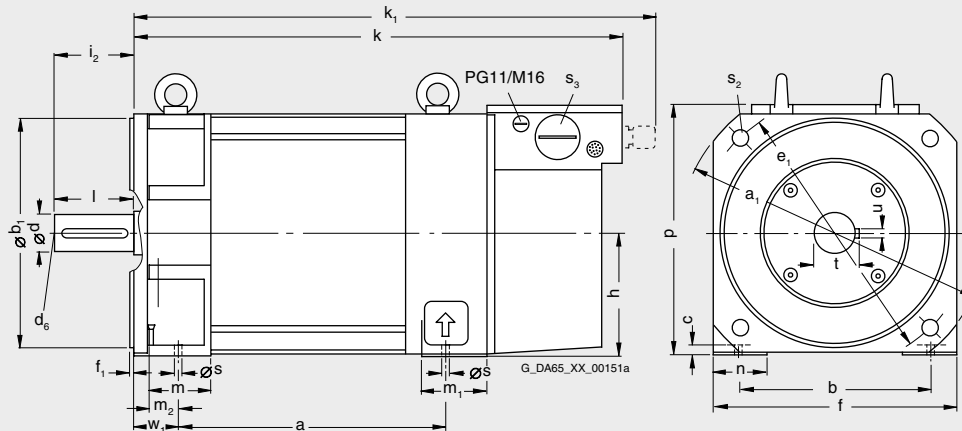
1PH7 motors Forced ventilation

For motor		Dimensions in mm (in)																		
Shaft height	Type	DIN IEC	a B	a ₁ P	b A	b ₁ N	c LA	e ₁ M	f AB	f ₁ T	h H	i ₂ -	k LB	k ₁ -	m BA	m ₁ -	m ₂ -	n AA	p HD	
1PH7, type of construction IM B35, forced ventilation																				
100	1PH7101 1PH7103 1PH7105 1PH7107		202.5 (7.97)	250 (9.84)	160 (6.3)	180 (7.09)	11 (0.43)	215 (8.46)	196 (7.72)	4 (0.16)	100 (3.94)	80 (3.15)	411 (16.18)	435 (17.13)	52 (2.05)	64 (2.52)	27 (1.06)	39 (1.54)	220 (8.66)	
			297.5 (11.71)										506 (19.92)	529 (20.83)						
132	1PH7131 1PH7133 1PH7135 1PH7137		265.5 (10.45)	350 (13.78)	216 (8.5)	250 (9.84)	14 (0.55)	300 (11.81)	260 (10.24)	5 (0.2)	132 (5.2)	110 (4.33)	538 (21.18)	561 (22.09)	63 (2.48)	75 (2.95)	33 (1.3)	52 (2.05)	275 (10.83)	
			350.5 (13.8)										623 (24.53)	646 (25.43)						
160	1PH7163 1PH7167		346.5 (13.64)	400 (15.75)	254 (10)	300 (11.81)	17 (0.67)	350 (13.78)	314 (12.36)	5 (0.2)	160 (6.3)	110 (4.33)	640 (25.2)	663 (26.1)	78 (3.07)	81 (3.19)	42 (1.65)	62 (2.44)	330 (12.99)	
			406.5 (16)										700 (27.56)	723 (28.46)						

DE shaft extension

Shaft height	Type	DIN IEC	s K	s ₂ S	s ₃ -	w ₁ C	d D	d ₆ -	l E	t GA	u F
100	1PH7101 1PH7103 1PH7105 1PH7107		12 (0.47)	14 (0.55)	PG29/M32	40 (1.57)	38 (1.5)	M12	80 (3.15)	41 (1.61)	10 (0.39)
132	1PH7131 1PH7133 1PH7135 1PH7137		12 (0.47)	18 (0.71)	PG36/M40	50 (1.97)	42 (1.65)	M16	110 (4.33)	45 (1.77)	12 (0.47)
160	1PH7163 1PH7167		14 (0.47)	18 (0.71)	PG42/M50	64 (2.52)	55 (2.17)	M20	110 (4.33)	59 (2.32)	16 (0.63)

1PH710
1PH713
1PH716

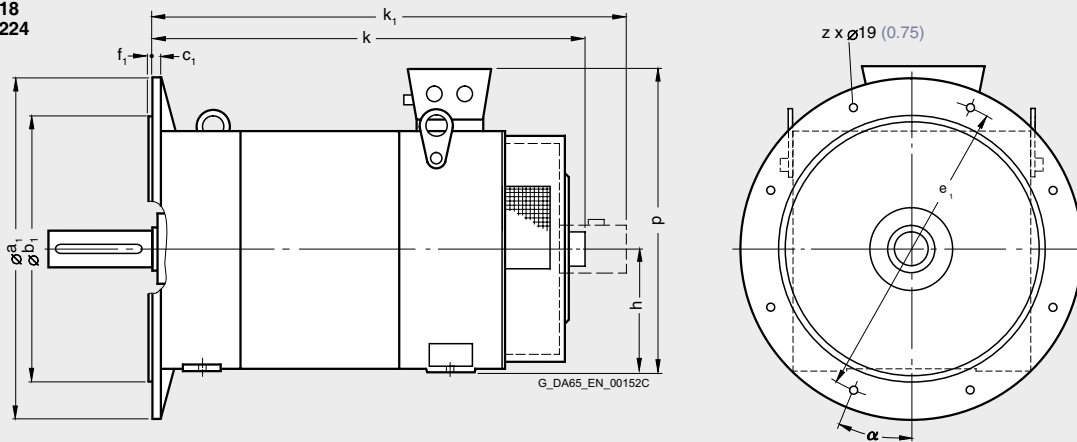


Asynchronous motors Dimension drawings

1PH7 motors Forced ventilation

For motor		Dimensions in mm (in)										For dimensions for foot mounting, shaft and terminal box, see dimension drawing of 1PH718 and 1PH7224 motors, type of construction IM B3. Terminal box type 1XB7322	
Shaft height	Type	DIN IEC	a ₁ P	b ₁ N	c ₁ LA	e ₁ M	f ₁ T	h H	k LB	k ₁ -	p	z -	α -
1PH7, type of construction IM B35, forced ventilation, direction of air flow DE → NDE													
180	1PH7184 ¹⁾		400 (15.75)	300 (11.81)	15 (0.59)	350 (13.78)	5 (0.2)	180 (7.09)	835 (32.87)	-	495 (19.49)	4	45°
	1PH7184 ¹⁾		450 (17.72)	350 (13.78)	16 (0.63)	400 (15.75)			835 (32.87)			8	22.5°
	1PH7186								925 (36.42)				
225	1PH7224		550 (21.65)	450 (17.72)	18 (0.71)	500 (19.69)	5 (0.2)	225 (8.86)	-	1100 (43.31)	595 (23.43)	8	22.5°

1PH718
1PH7224



G_DA65_EN_00152C

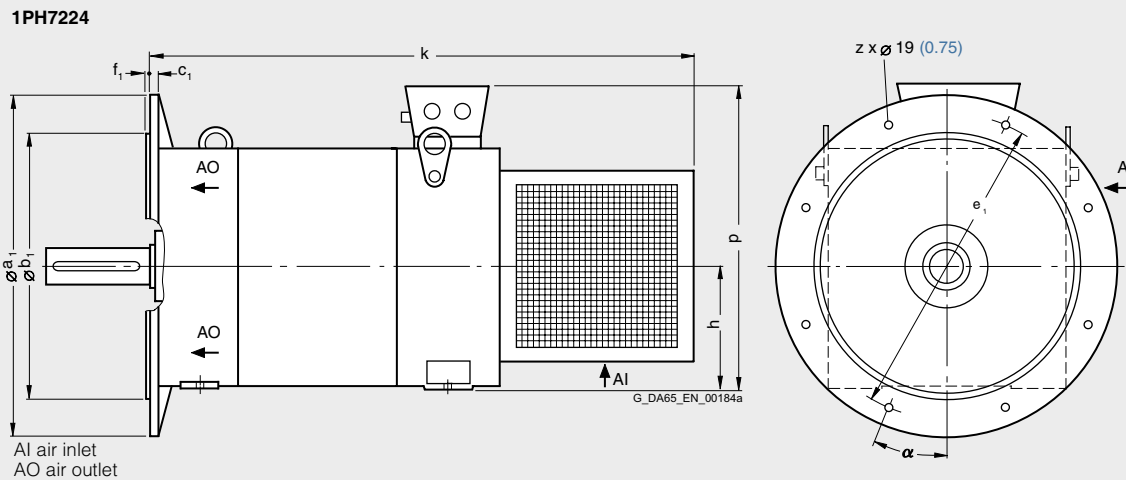
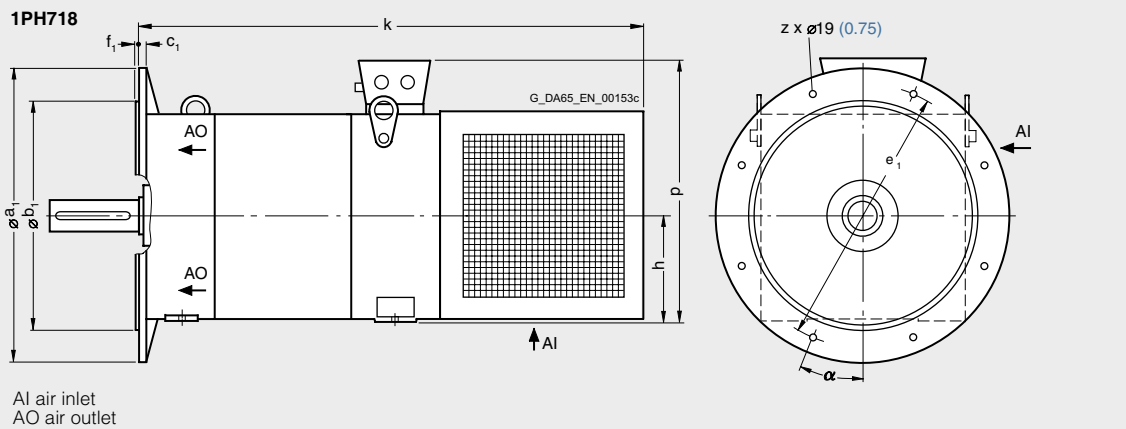
¹⁾ For flange selection, see order number complements for SH 180 and SH 225.

Asynchronous motors

Dimension drawings

1PH7 motors Forced ventilation

For motor		Dimensions in mm (in)										For dimensions of the shaft and terminal box foot installation, see dimension drawing of 1PH718 and 1PH7224 motors, type of construction IM B3. Terminal box type 1XB7322	
Shaft height	Type	DIN IEC	a ₁ P	b ₁ N	c ₁ LA	e ₁ M	f ₁ T	h H	k LB	p	z	α	
1PH7, type of construction IM B35, forced ventilation, direction of air flow NDE → DE													
180	1PH7184 ¹⁾		400 (15.75)	300 (11.81)	15 (0.59)	350 (13.78)	5 (0.2)	180 (7.09)	1010 (39.76)	495 (19.49)	4	45°	
	1PH7184 ¹⁾		450 (17.72)	350 (13.78)	16 (0.63)	400 (15.75)			1010 (39.76)		8	22.5°	
	1PH7186								1100 (43.31)				
225	1PH7224		550 (21.65)	450 (17.72)	18 (0.71)	500 (19.69)	5 (0.2)	225 (8.86)	1090 (42.91)	595 (23.43)	8	22.5°	



¹⁾ For flange selection, see order number complements for SH 180 and SH 225.