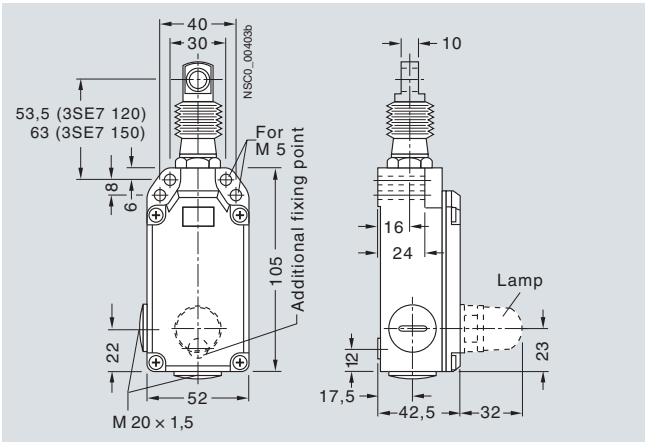


# 3SE7 Cable-Operated Switches

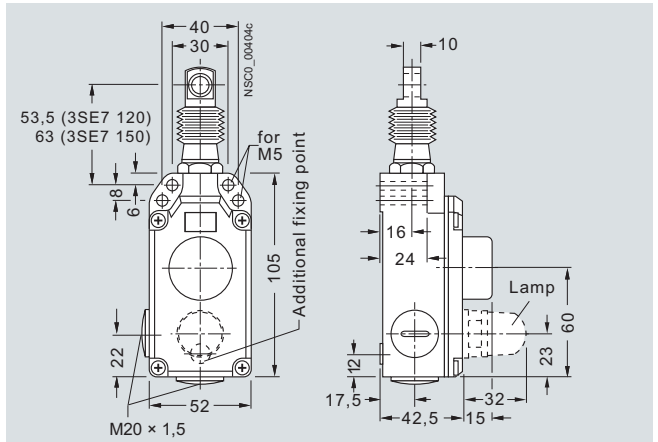
## Metal enclosures

### Dimensional drawings

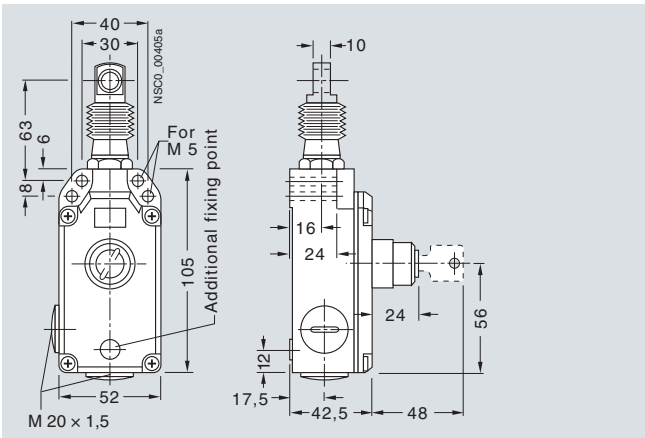
**3SE7 120-2DD.., 3SE7 150-2DD..**  
without latching



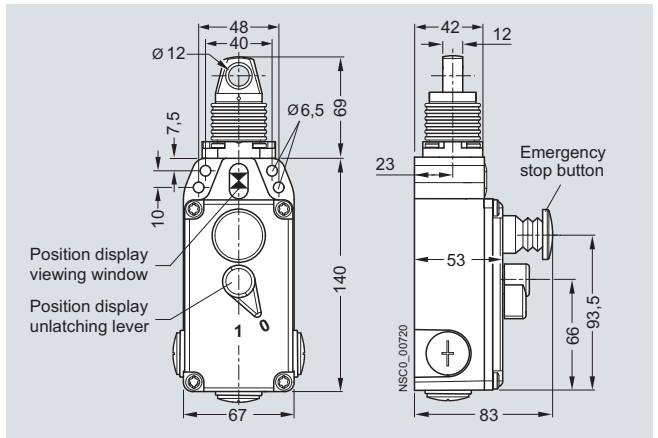
**3SE7 120-1B..., 3SE7 150-1B...**  
with latching and button reset



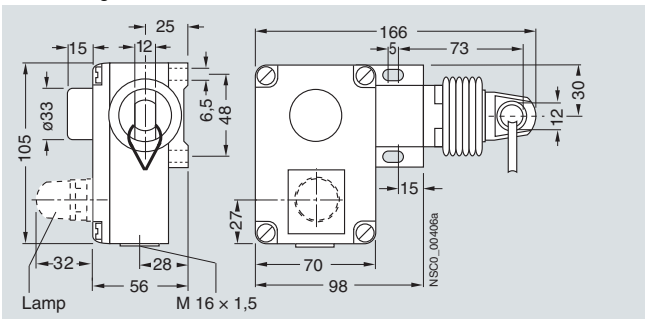
**3SE7 150-1CD..**  
with latching, button reset and key unlatching



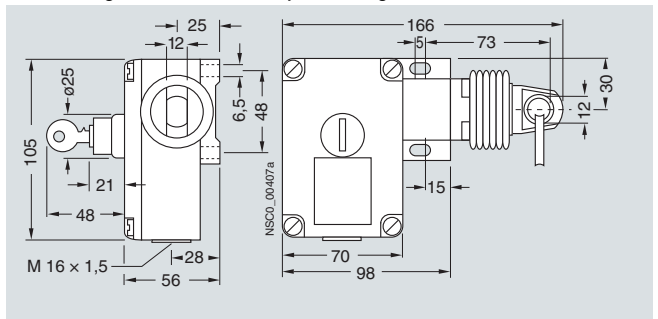
**3SE7 141-1EG..**  
with EMERGENCY STOP and rotate-to-unlatch mechanism



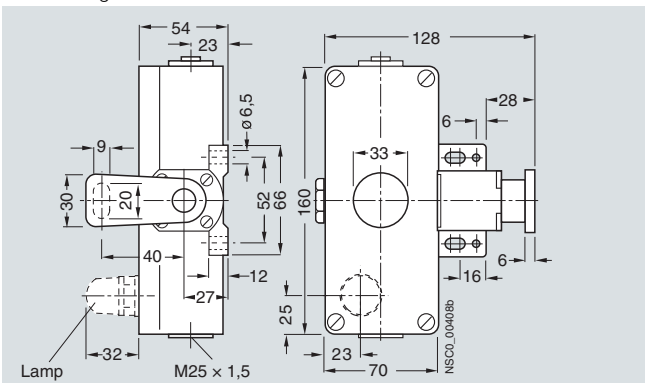
**3SE7 140-1B...**  
with latching and button reset



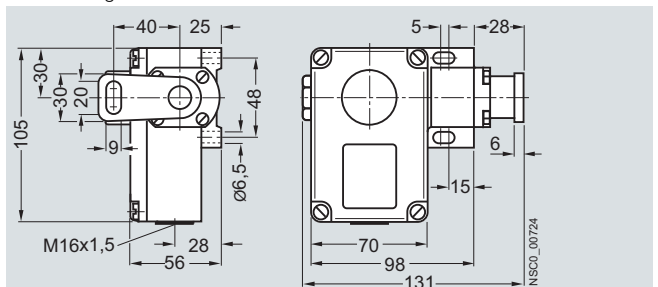
**3SE7 140-1CD..**  
with latching, button reset and key unlatching



**3SE7 160-1AE..**  
with latching and button reset



**3SE7 160-1BD..**  
with latching and button reset



# 3SE7 Cable-Operated Switches

Metal enclosures

**3SE7 310-1AE.. conveyor belt unbalance tracker**  
with latching and button reset

